



**NESSA NAVA**

---

Bathroom Accessories

## About Us;

The primary goal of our company, which set out with the principle of designing and producing the Bathroom Lines of your dreams, is quality service and customer satisfaction.

First of all, Nessa Nava Bathroom , which values people; It takes place in the sector of bathroom accessories and general use stainless wet volume equipment in residences, hotels, hospitals, shopping malls and offices.

By following the innovations with professional team work, it provides solution-oriented approaches to the special demands you imagine and design, and ensures that it coincides with customer needs as a result of R&D studies.

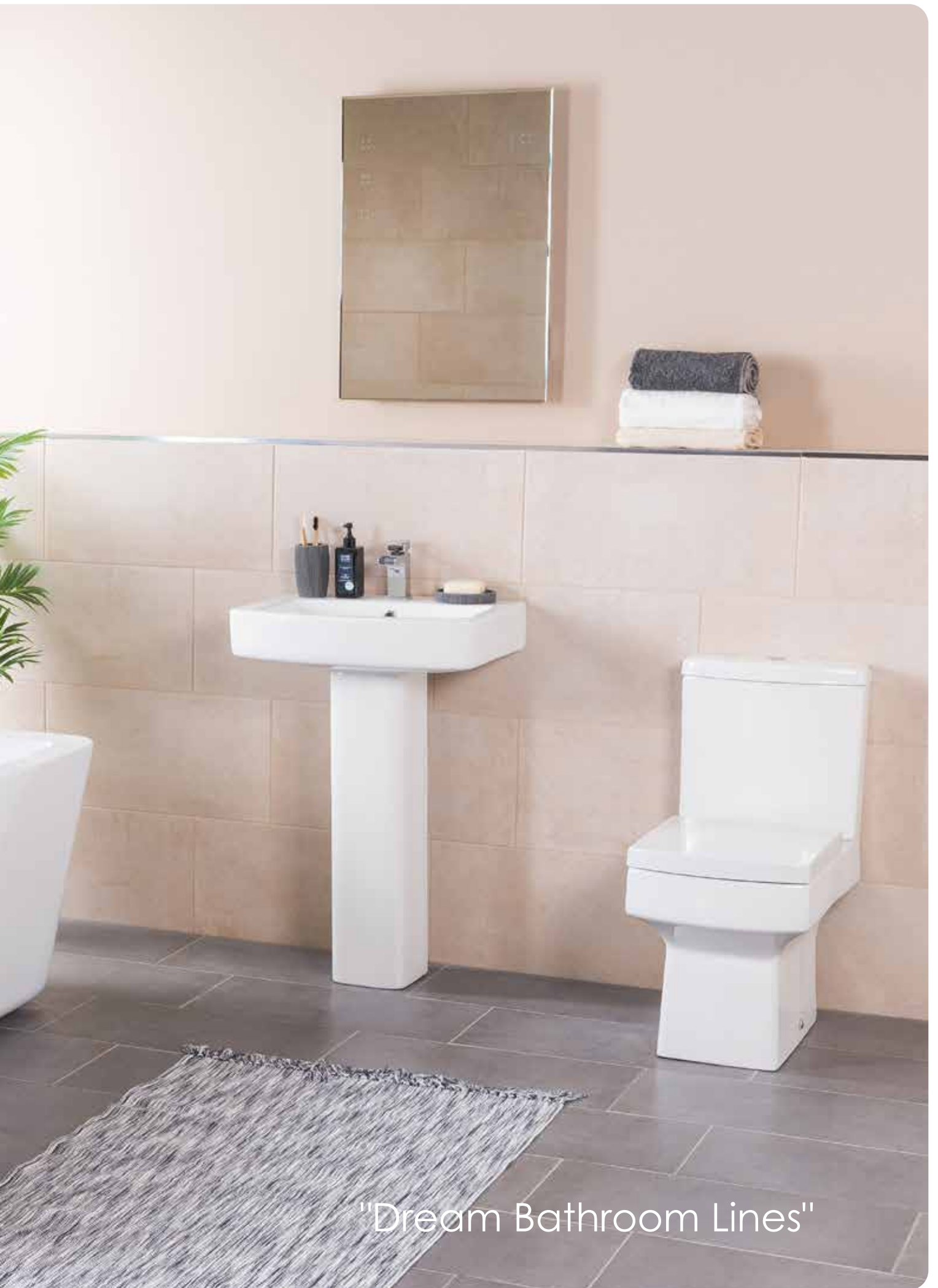
It offers its customers the products it produces and imported in its distinguished dealers, which are increasing day by day.

100% brass and AISI 316, AISI 304, AISI 430 quality stainless steel raw materials are used in the product range.



**NESSA NAVA**  
Bathroom Accessories





"Dream Bathroom Lines"

# Product Groups

MODELS, WALL MOUNTED	
Byblos	8-11
Santiago	12-15
Windsor	16-19
Gaia	20-21
Victoria	22-23
Serenity	24-29
Sirius	30-31
Flora	32-35
Hera	36-37
Merlin	38-39
San Sebastian	40-41
Elise	42-43
Constance	44-45

MODELS, COMPLEMENTARY	
Free Standing	62-65
Toilet Brush Set	66-71
Dust Bin	72-81
Soap Dispanser	82-93
Soap Basket	94-99
Magnifying Mirrors	100-103
Towel Rack	104-105
Clothes Line	106-107
Kleenex Box	108-109
Grap Bar	110-111
Glass Door Bar	112-113

MODELS, COUNTER TOP	
Rounded	48-53
Daimond	54-55
Roona	56-57
Broken	58
StSingle	59

HOTEL EQUIPMENT	
HAIR DRYERS	116-121
Trays And Kettles	122-123
Electronic Safe	124-125
Mini Bars	126-129
Folding Luggage Rack For Room	130-131
Ironing Table And Vacuum Cleaner	132-133
Cleaning Trolley	134-136
Shoe Polishing Machine And Barriers	137
Other Equipment	138
Door Lock Systems	139
Hotel Room Accessories	140-143

<b>Affordable Mirrors</b>	146-165
---------------------------	---------

<b>GENERAL USE</b>	
Towels & Waste Combination Units	168-173
Towels & Waste Dispensers	174-177
Hand Dryers	178-181
Paper Holders	182-185
Seat-Cover Dispenser	186-187
Dust Bin	188-195
Recycling Units	196-197
Trash bins with ashtray bins	198-201
Umbrella Boxes	202
Flora Pot Box	203
Washing Units	204-206
Water Dispenser	207
Baby Changing Units	208-209

<b>DISABLED EQUIPMENT</b>	
Grap Bar	212-214
Shower Seats	215-216
Led Mirrors	217

<b>FAUCET</b>	
Photocell Bataryes	220-221
Bataryes	222-223
Bidet Nozzle	224
Siphon and Shower	225

<b>BEACH, POOL SHOWERS</b>	
	228-231

<b>HEATED TOWEL RAIL</b>	
	232-233

<b>STAINLESS TOILETS</b>	
	234-235

<b>MODELS, ECONOMIC</b>	
Open	238

<b>REFERENCES</b>	
	242-243

<b>BATHROOM DIMENSIONS</b>	
	244

<b>BRAND CERTIFICATE</b>	
	245



Models,  
Wall Mounted



# Byblos



SOAP DISH (Frosted Glass)

116106 | ■ Chrome



TUMBLER HOLDER (Frosted Glass)

116107 | ■ Chrome



**TOWEL BAR**

116122 | 500 mm | Chrome



**TOWEL RING**

116128 | Ø195 mm | Chrome



**ROLL HOLDER**

116115 | Chrome



**ROBE HOOK**

116101 | Chrome



**ROLL HOLDER, OPEN**

116117 | Chrome



**ROLL HOLDER, SPARE**

116118 | Chrome



**WC BRUSH SET (Frosted Glass)**

116135 | Chrome

# Byblos



SOAP DISH (Frosted Glass)

116406 |  Gold



TUMBLER HOLDER (Frosted Glass)

116407 |  Gold



**TOWEL BAR**

116422 | 500 mm | Gold



**TOWEL RING**

116428 | Ø195 mm | Gold



**ROLL HOLDER**

116415 | Gold



**ROBE HOOK**

116401 | Gold



**ROLL HOLDER, OPEN**

116417 | Gold



**ROLL HOLDER, SPARE**

116418 | Gold



**WC BRUSH SET (Frosted Glass)**

116435 | Gold

# Santiago



SOAP DISH (Frosted Glass)

120406 | Gold



TUMBLER HOLDER (Frosted Glass)

120407 | Gold



TOWEL BAR

120422 | 500 mm | Gold



TOWEL RING

120428 | 275 mm | Gold



ROLL HOLDER

120415 | Gold



ROBE HOOK,

120402 | Gold



ROLL HOLDER, OPEN

120417 | Gold



ROLL HOLDER, SPARE

120418 | Gold



WC BRUSH SET (Frosted Glass)

120435 | Gold

# Santiago



TUMBLER HOLDER (Frosted Glass)

120107 | Chrome



SOAP DISH (Frosted Glass)

120106 | Chrome



**TOWEL BAR**

120122 | 500 mm | Chrome



**TOWEL RING**

120128 | 275 mm | Chrome



**ROLL HOLDER**

120115 | Chrome



**ROBE HOOK**

120102 | Chrome



**ROLL HOLDER, OPEN**

120117 | Chrome



**ROLL HOLDER, SPARE**

120118 | Chrome



**WC BRUSH SET (Frosted Glass)**

120135 | Chrome



# Windsor



SOAP DISH (Frosted Glass)

126106 ■ Chrome



TUMBLER HOLDER (Frosted Glass)

126107 ■ Chrome



WC BRUSH SET (Frosted Glass)

126135 ■ Chrome



**TOWEL BAR**

126121	400 mm	■ Chrome
126122	500 mm	■ Chrome



**TOWEL RING, OPEN**

126130	280 mm	■ Chrome
--------	--------	----------



**ROBE HOOK,**

126103	■ Chrome
--------	----------



**ROBE HOOK,**

126102	■ Chrome
--------	----------



**ROLL HOLDER**

126115	■ Chrome
--------	----------



**ROLL HOLDER, OPEN**

126116	■ Chrome
--------	----------



**TOWEL RACK**

126141	500 mm	■ Chrome
--------	--------	----------

# Windsor



SOAP DISH (Frosted Glass)

126606 ■ Matte Black



TUMBLER HOLDER (Frosted Glass)

126607 ■ Matte Black



WC BRUSH SET (Frosted Glass)

126635 ■ Matte Black



TOWEL BAR

126621 | 400 mm | ■ Matte Black  
126622 | 500 mm | ■ Matte Black



TOWEL RING

126630 | 280 mm | ■ Matte Black



ROBE HOOK,

126603 | ■ Matte Black



ROBE HOOK,

126602 | ■ Matte Black



ROLL HOLDER

126615 | ■ Matte Black



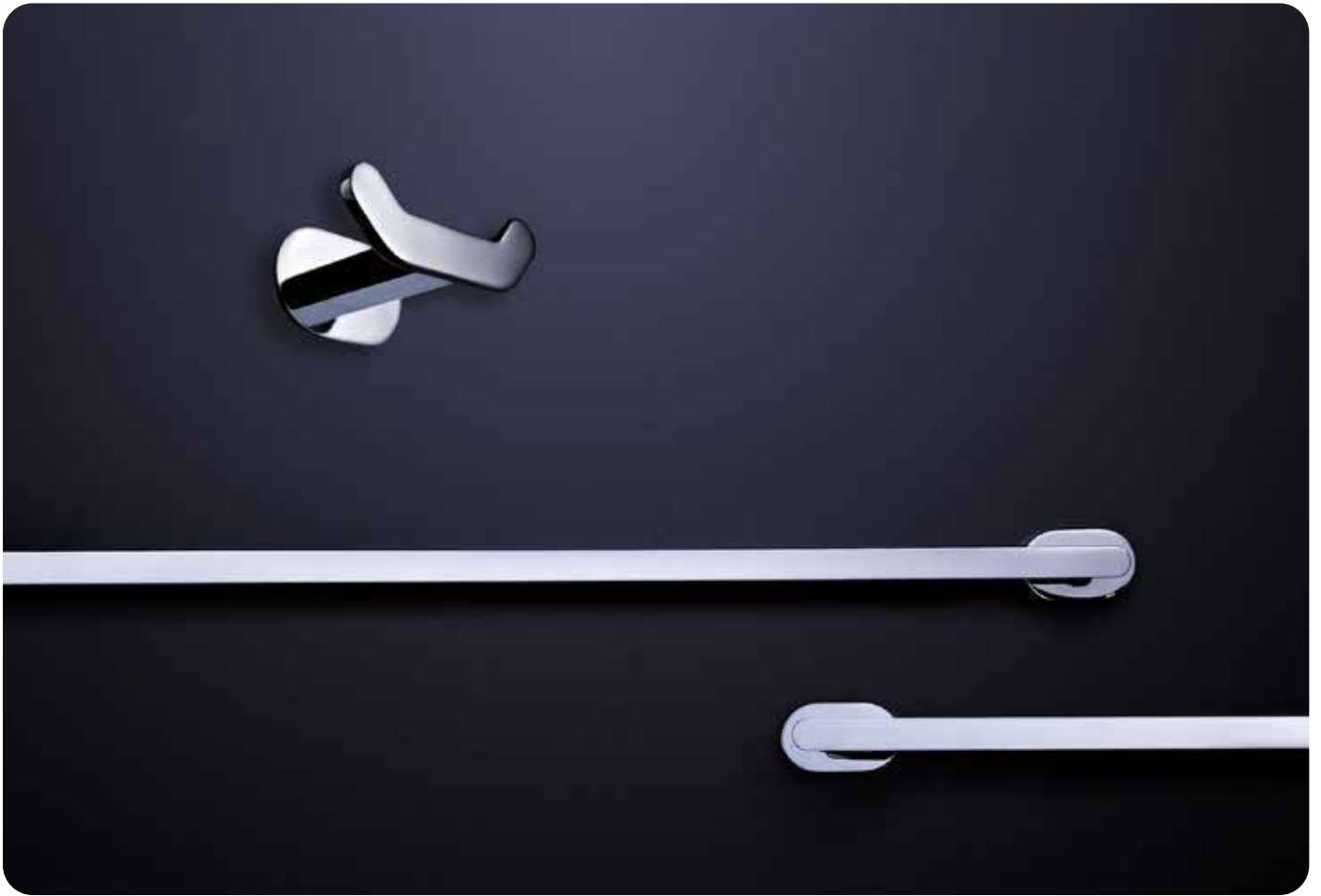
ROLL HOLDER, OPEN

126616 | ■ Matte Black



TOWEL RACK

126641 | 500 mm | ■ Matte Black



TUMBLER HOLDER (Frosted Glass)

124107 | Chrome



SOAP DISH (Frosted Glass)

124106 | Chrome



WC BRUSH SET (Frosted Glass)

124135 | Chrome



**TOWEL BAR**

124122 | 460 mm | ■ Chrome



**TOWEL RING OPEN**

124131 | 255 mm | ■ Chrome



**ROBE HOOK,**

124102 | ■ Chrome



**TOWEL RING OPEN**

124129 | 235 mm | ■ Chrome



**ROLL HOLDER, OPEN**

124116 | ■ Chrome



**ROLL HOLDER, OPEN**

124117 | ■ Chrome



**ROLL HOLDER**

124115 | ■ Chrome

# Victoria



TUMBLER HOLDER (Frosted Glass)

150107 ■ Chrome



SOAP DISH (Frosted Glass)

150106 ■ Chrome



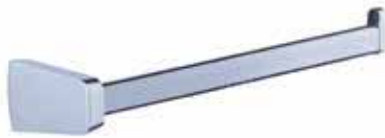
WC BRUSH SET (Frosted Glass)

150135 ■ Chrome



**TOWEL BAR**

- |        |        |          |
|--------|--------|----------|
| 150121 | 400 mm | ■ Chrome |
| 150122 | 500 mm | ■ Chrome |



**TOWEL RING, OPEN**

- |        |        |          |
|--------|--------|----------|
| 150131 | 280 mm | ■ Chrome |
|--------|--------|----------|



**TOWEL RING**

- |        |        |          |
|--------|--------|----------|
| 150128 | 175 mm | ■ Chrome |
|--------|--------|----------|



**ROLL HOLDER**

- |        |          |
|--------|----------|
| 150115 | ■ Chrome |
|--------|----------|



**ROBE HOOK**

- |        |          |
|--------|----------|
| 150102 | ■ Chrome |
|--------|----------|



**ROLL HOLDER, OPEN**

- |        |          |
|--------|----------|
| 150117 | ■ Chrome |
|--------|----------|



**ROLL HOLDER, OPEN**

- |        |          |
|--------|----------|
| 150116 | ■ Chrome |
|--------|----------|



# Serenity



SOAP DISH (Frosted Glass)

128106 | Chrome



TUMBLER HOLDER (Frosted Glass)

128107 | Chrome



WC BRUSH SET (Frosted Glass)

128135 | Chrome



WC BRUSH SET

33501 (304) | Chrome  
33502 (304)Wall Mounted | Chrome



TOWEL BAR

128121 | 400 mm | ■ Chrome  
128122 | 500 mm | ■ Chrome



TOWEL RING

128128 | Ø 175 mm | ■ Chrome



ROBE HOOK,

128101 | Ø 20 mm | ■ Chrome



ROBE HOOK,

128104 | ■ Chrome



ROBE HOOK

128103 | ■ Chrome



ROBE HOOK

128102 | ■ Chrome



ROLL HOLDER

128115 | ■ Chrome



ROLL HOLDER, OPEN

128117 | ■ Chrome



SOAP DISPENSER

34559 | 200 ml | ■ Chrome



ROLL HOLDER, OPEN

128116 | ■ Chrome



ROLL HOLDER, OPEN

128137 | ■ Chrome

# Serenity



SOAP DISH (Frosted Glass)

128606 ■ Matte Black



TUMBLER HOLDER (Frosted Glass)

128607 ■ Matte Black



WC BRUSH SET (Frosted Glass)

128635 ■ Matte Black



WC BRUSH SET (Frosted Glass)

33702 | Wall Mounted ■ Matte Black



TOWEL BAR

128621 | 400 mm | ■ Matte Black  
128622 | 500 mm | ■ Matte Black



TOWEL RING

128628 | Ø 175 mm | ■ Matte Black



ROBE HOOK

128601 | Ø 20 mm | ■ Matte Black



ROBE HOOK,

128604 | ■ Matte Black



ROBE HOOK

128603 | ■ Matte Black



ROBE HOOK

128602 | ■ Matte Black



ROLL HOLDER

128615 | ■ Matte Black



ROLL HOLDER, OPEN

128617 | ■ Matte Black



SOAP DISPENSER

34659 | 200 ml | ■ Chrome



ROLL HOLDER, OPEN

128616 | ■ Matte Black



ROLL HOLDER, OPEN

128637 | ■ Matte Black

# Serenity



SOAP DISH (Frosted Glass)

128806 | Copper



TUMBLER HOLDER (Frosted Glass)

128807 | Copper



WC BRUSH SET (Frosted Glass)

128835 | Copper



TOWEL BAR

128821 | 400 mm | Copper  
128822 | 500 mm | Copper



TOWEL RING

128828 | Ø 175 mm | Copper



ROBE HOOK

128801 | Ø 20 mm | Copper



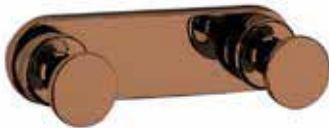
ROBE HOOK,

128804 | Copper



ROBE HOOK

128803 | Copper



ROBE HOOK

128802 | Copper



ROLL HOLDER

128815 | Copper



ROLL HOLDER, OPEN

128817 | Copper



SOAP DISPENSER

34859 | 200 ml | Copper



ROLL HOLDER, OPEN

128816 | Copper

# Sirius



SOAP DISH (Frosted Glass)

125106 | ■ Chrome



SOAP DISPENSER (Frosted Glass)

125108 | ■ Chrome



**TOWEL BAR**

125122 | 450 mm | Chrome



**TOWEL RING**

125128 | 225 mm | Chrome



**ROLL HOLDER, OPEN**

125116 | Chrome



**ROBE HOOK,**

125102 | Chrome



**ROLL HOLDER**

125115 | Chrome



**TUMBLER HOLDER (Frosted Glass)**

125107 | Chrome



**WC BRUSH SET (Frosted Glass)**

125135 | Chrome



# Flora



SOAP DISH (Frosted Glass)

114606 | ■ Matte Black



TUMBLER HOLDER (Frosted Glass)

114607 | ■ Matte Black



TOWEL BAR

114622 | 450 mm | ■ Matte Black



ROBE HOOK

114601 | ■ Matte Black



ROBE HOOK,

114602 | ■ Matte Black



ROLL HOLDER, OPEN

114617 | ■ Matte Black



WC BRUSH SET (Frosted Glass)

114635 | ■ Matte Black



DUST BIN OPEN

502646 | 7 lt. | ■ Matte Black

# Flora



SOAP DISH (Frosted Glass)

114706 | ■ Matte White



TUMBLER HOLDER (Frosted Glass)

114707 | ■ Matte White



**TOWEL BAR**

114722 | 450 mm | ■ Matte White



**ROBE HOOK**

114701 | ■ Matte White



**ROBE HOOK,**

114702 | ■ Matte White



**ROLL HOLDER, OPEN**

114717 | ■ Matte White



**WC BRUSH SET (Frosted Glass)**

114735 | ■ Matte White



**DUST BIN OPEN**

502746 | 7 lt. | ■ Matte White



TUMBLER HOLDER (Frosted Glass)

132107 | ■ Chrome



SOAP DISH (Frosted Glass)

132106 | ■ Chrome



WC BRUSH SET (Frosted Glass)

132135 | ■ Chrome



TOWEL BAR

132123 | 500 mm | Chrome



TOWEL RING , OPEN

132128 | Ø190 mm | Chrome



TOWEL BAR

132122 | 500 mm | Chrome



ROBE HOOK

132101 | Chrome  
132102 | Double | Chrome



ROLL HOLDER

132115 | Chrome



ROBE HOOK,

132103 | Chrome



ROLL HOLDER, OPEN

132117 | Chrome



ROLL HOLDER, SPARE

132118 | Chrome



SOAP DISH (Frosted Glass)

122106 | ■ Chrome



TUMBLER HOLDER (Frosted Glass)

122107 | ■ Chrome



**TOWEL BAR**

122121 | 400 mm | ■ Chrome  
122122 | 500 mm | ■ Chrome



**TOWEL RING**

122128 | Ø 170 mm | ■ Chrome



**ROLL HOLDER**

122115 | ■ Chrome



**ROBE HOOK,**

122102 | ■ Chrome



**ROLL HOLDER, OPEN**

122117 | ■ Chrome



**ROLL HOLDER, OPEN**

122116 | ■ Chrome



**WC BRUSH SET (Frosted Glass)**

122135 | ■ Chrome



# San Sebastian



TUMBLER HOLDER (Frosted Glass)

138107 | ■ Chrome



SOAP DISH (Frosted Glass)

138106 | ■ Chrome



WC BRUSH SET (Frosted Glass)

138135 | ■ Chrome



TOWEL BAR

138122 | 450 mm | Chrome



TOWEL RING

138129 | Ø 200 mm | Chrome



ROLL HOLDER

138115 | Chrome



ROBE HOOK

138101 | Chrome



ROLL HOLDER, SPARE

138118 | Chrome



ROLL HOLDER, OPEN

138116 | Chrome



SOAP DISH (Frosted Glass)

136106 | Chrome



TUMBLER HOLDER (Frosted Glass)

136107 | Chrome



TOWEL BAR

136122 | 500 mm | Chrome



TOWEL RING

136128 | Ø170 mm | Chrome



ROLL HOLDER, SPARE

136118 | Chrome



ROBE HOOK,

136103 | Chrome



ROLL HOLDER

136115 | Chrome



ROLL HOLDER, OPEN

136117 | Chrome



WC BRUSH SET (Frosted Glass)

136135 | Chrome

# Constance



SOAP DISH (Frosted Glass)

10113 | ■ Chrome



TUMBLER HOLDER (Frosted Glass)

10114 | ■ Chrome



WC BRUSH SET (Wall Mounting)

32507 | ■ Chrome



ROBE HOOK,

10132 | ■ Chrome



ROBE HOOK

10131 | ■ Chrome



ROBE HOOK

101140	3 Hooks	■ Chrome
101141	4 Hooks	■ Chrome
101142	5 Hooks	■ Chrome



**TOWEL BAR**

10118 | 500 mm | Chrome



**TOWEL RING**

10119 | Ø 170 mm | Chrome



**TOWEL BAR, DOUBLE**

10143 | Chrome



**TOWEL BAR, TRIBLE**

10144 | Chrome



**OPEN ROLL HOLDER**

10124 | Chrome



**ROLL HOLDER**

10123 | Chrome



**ROLL HOLDER**

10116 | Chrome



**ROLL HOLDER, SPARE**

10137 | Chrome



**GLASS SHELF**

10112 | Chrome



**ROLL HOLDER, OPEN**

10121 | Chrome



**ROLL HOLDER, SPARE**

10139 | Chrome



**NESSA NAVA**  
Bathroom Accessories

Models

Table Top



# Rounded





**SOAP DISPENSER, COUNTER TOP**

201112 | ■ Chrome



**COSMETIC CUBE, COUNTER TOP**

201113 | ■ Chrome



**TUMBLER HOLDER, COUNTER TOP**

201111 | ■ Chrome



**SOAP DISH, COUNTER TOP**

201110 | ■ Chrome



**DUST BIN 5 lt.**

201139 | ■ Chrome



**WC BRUSH SET**

201136 | ■ Chrome

# Rounded



SOAP DISPENSER, COUNTER TOP

201412 | Gold



COSMETIC CUBE, COUNTER TOP

201413 | Gold



TUMBLER HOLDER, COUNTER TOP

201411 | Gold



SOAP DISH, COUNTER TOP

201410 | Gold



DUST BIN 5 lt.

201439 | Gold



WC BRUSH SET

201436 | Gold



**SOAP DISPENSER, COUNTER TOP**

201812 |  Copper



**COSMETIC CUBE, COUNTER TOP**

201813 |  Copper



**TUMBLER HOLDER, COUNTER TOP**

201811 |  Copper



**SOAP DISH, COUNTER TOP**

201810 |  Copper



**DUST BIN 5 lt.**

201839 |  Copper



**WC BRUSH SET**

201836 |  Copper

# Rounded





**SOAP DISPANSER, COUNTER TOP**

201612 | ■ Matte Black



**COSMETIC CUBE, COUNTER TOP**

201613 | ■ Matte Black



**TUMBLER HOLDER, COUNTER TOP**

201611 | ■ Matte Black



**SOAP DISH, COUNTER TOP**

201610 | ■ Matte Black



**DUST BIN 5 ft.**

201639 | ■ Matte Black



**WC BRUSH SET**

201636 | ■ Matte Black

# Daimond





**SOAP DISPANSER, COUNTER TOP**

202112 | ■ Chrome



**COSMETIC CUBE, COUNTER TOP**

202113 | ■ Chrome



**TUMBLER HOLDER, COUNTER TOP**

202111 | ■ Chrome



**SOAP DISH, COUNTER TOP**

202110 | ■ Chrome



**COMB TRAY**

38510 | ■ Polished SS  
38610 | ■ Matte Black



**WC BRUSH SET**

202136 | ■ Chrome



# Roona





**SOAP DISPENSER, COUNTER TOP**

203112 ■ Chrome



**COSMETIC CUBE, COUNTER TOP**

203113 ■ Chrome



**SOAP DISH, COUNTER TOP**

203110 ■ Chrome



**TUMBLER HOLDER, COUNTER TOP**

203111 ■ Chrome



**DUST BIN 5 lt.**

201139 ■ Chrome



**WC BRUSH SET**

201136 ■ Chrome

# Broken



SOAP DISPANSER, COUNTER TOP

205112 | Chrome



COSMETIC CUBE, COUNTER TOP

205113 | Chrome



TUMBLER HOLDER, COUNTER TOP

205111 | Chrome



SOAP DISH, COUNTER TOP

205110 | Chrome



DUST BIN 5 lt.

205139 | Chrome



WC BRUSH SET

205135 | Chrome



SOAP DISPENSER, COUNTER TOP

204112 | ■ Chrome



COSMETIC CUBE, COUNTER TOP

204113 | ■ Chrome



SOAP DISH, COUNTER TOP

204110 | ■ Chrome



TUMBLER HOLDER, COUNTER TOP

204111 | ■ Chrome



DUST BIN 5 lt.

204139 | ■ Chrome



WC BRUSH SET

204135 | ■ Chrome



**NESSA NAVA**  
Bathroom Accessories

MODELS,  
COMPLEMENTARY

# Free Standing



TOILET BRUSH SET

505008 | ■ Chrome



TOILET BRUSH SET

505608 | ■ Matte Black



TOILET BRUSH SET

505606 | ■ Black



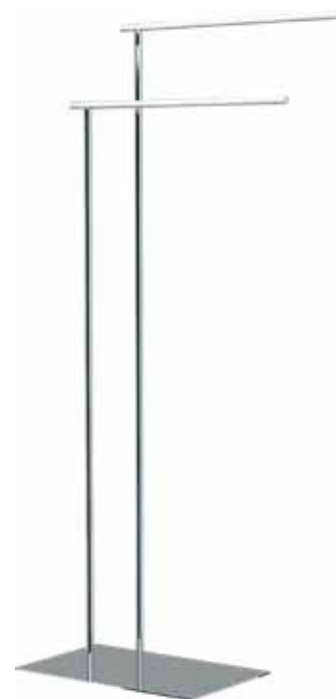
TOILET BRUSH SET

505406 | ■ Gold



TOILET BRUSH SET

505006 | ■ Chrome



TOWEL STAND

505005 | ■ Chrome

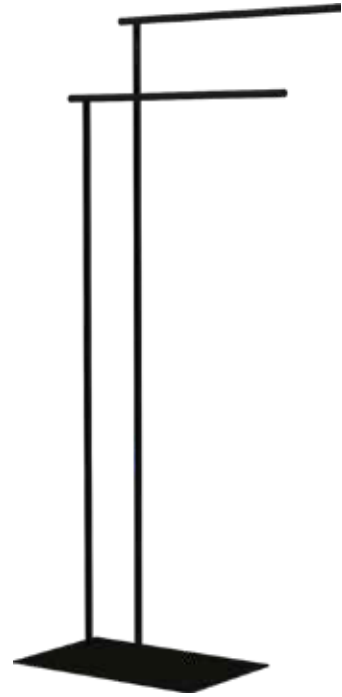


# Free Standing



TOWEL STAND

505405 | ■ Gold



TOWEL STAND

505605 | ■ Black



TOILET BRUSH SET

505012 | ■ Chrome



TOILET BRUSH SET

505010 | ■ Polished SS



# Toilet Brush Set





**WC BRUSH SET**

- 33501 (304) Polished SS
- 33502 (304) Wall Mounted Polished SS



**WC BRUSH SET**

- 33701 Matte Black
- 33702 Wall Mounted Matte Black



**WC BRUSH SET**

- 33401 Gold
- 33402 Wall Mounted Gold



**WC BRUSH SET**

- 33504 (304) Polished SS
- 33505 (304) Wall Mounted Polished SS

# Toilet Brush Set

**WC BRUSH SET**

33503	(304)	■ Polished SS
33508	(304) Wall Mounted	■ Polished SS

**WC BRUSH SET**

33506		■ Matte Black
33507	Wall Mounted	■ Matte Black

**WC BRUSH SET**

33522	(304)	■ Polished SS
33523	(304) Wall Mounted	■ Polished SS

**WC BRUSH SET**

33506	(304)	■ Polished SS
33507	(304) Wall Mounted	■ Polished SS
33511	(430)	■ Polished SS
33512	(430) Wall Mounted	■ Polished SS

► Kenetli



**WC BRUSH SET**

- 33525 (304) ■ Polished SS
- 33524 (304) Wall Mounted ■ Polished SS
- 33602 (430) ■ Polished SS
- 33601 (430) Wall Mounted ■ Polished SS



**WC BRUSH SET**

- 32509 (304) ■ Polished SS
- 32510 (304) Wall Mounted ■ Polished SS



**WC BRUSH SET**

- 32505 (304) ■ Polished SS
- 32507 (304) Wall Mounted ■ Polished SS
- 32604 (430) ■ Polished SS
- 32606 (430) Wall Mounted ■ Polished SS



**WC BRUSH SET**

- 32601 (304) ■ Polished SS
- 32602 (304) Wall Mounted ■ Polished SS
- 32603 (430) ■ Polished SS
- 32605 (430) Wall Mounted ■ Polished SS

# Toilet Brush Set



WC BRUSH SET

32514 | (430) ■ Polished SS



WC BRUSH SET

33521 | (304) ■ Polished SS



WC BRUSH SET

33514 | (304) ■ Polished SS



WC BRUSH SET

33513 | (304) ■ Polished SS





# Trash Cans



Soft Kapak



**DUST BIN**

502140	(304) 3 lt.	Ø227xh:262	■ Polished SS
502139	(304) 5 lt.	Ø282xh:284	■ Polished SS



**DUST BIN**

502142	(304) 3 lt.	Ø227xh:262	■ Polished SS
502143	(304) 5 lt.	Ø282xh:284	■ Polished SS



**DUST BIN**

502658	3 lt.	Ø180xh:245	■ Matte Black
502659	5 lt.	Ø205xh:275	■ Matte Black
502644	12 lt.	Ø250xh:370	■ Matte Black



**DUST BIN**

28207	3 lt.	Ø180xh:245	■ Gold
28208	5 lt.	Ø205xh:275	■ Gold

# Trash Cans



## DUST BIN

28504	(304) 3 lt.	Ø180xh:245	■ Polished SS
28505	(304) 5 lt.	Ø205xh:275	■ Polished SS
28506	(304) 12 lt.	Ø250xh:370	■ Polished SS
28601	(430) 3 lt.	Ø180xh:245	■ Polished SS
28602	(430) 5 lt.	Ø205xh:275	■ Polished SS
28603	(430) 12 lt.	Ø250xh:370	■ Polished SS



## DUST BIN

28558	(304) 7 lt.	Ø205xh:285	■ Polished SS
28559	(304) 9 lt.	Ø205xh:335	■ Polished SS
28560	(304) 12 lt.	Ø250xh:370	■ Polished SS
28565	(430) 7 lt.	Ø205xh:285	■ Polished SS



## DUST BIN

27515	(304) 3 lt.	Ø185xh:255	■ Polished SS
27516	(304) 5 lt.	Ø205xh:280	■ Polished SS
27517	(304) 8 lt.	Ø205xh:355	■ Polished SS
27518	(304) 12 lt.	Ø245xh:355	■ Polished SS
27610	(430) 3 lt.	Ø185xh:255	■ Polished SS
27611	(430) 5 lt.	Ø205xh:280	■ Polished SS
27612	(430) 8 lt.	Ø205xh:355	■ Polished SS
27613	(430) 12 lt.	Ø245xh:355	■ Polished SS



## DUST BIN

25506	(304) 3 lt.	Ø185xh:255	■ Polished SS
25507	(304) 5 lt.	Ø205xh:280	■ Polished SS
25509	(304) 12 lt.	Ø245xh:355	■ Polished SS



**DUST BIN OPEN**

27116	(430) 5 lt.	Ø 210x260 mm	■ Polished SS
27117	(430) 8 lt.	Ø 205x305 mm	■ Polished SS
27109	(430) 11 lt.	Ø 205x380 mm	■ Polished SS



**Döner Kapaklı**



**DUST BIN**

27115	(430) 5 lt.	Ø210xh:260	■ Polished SS
27102	(430) 8 lt.	Ø205xh:305	■ Polished SS
27103	(430) 11 lt.	Ø205xh:380	■ Polished SS



**DUST BIN OPEN**

28552	(304) 5 lt.	Ø205xh:185	■ Polished SS
28553	(304) 7 lt.	Ø205xh:275	■ Polished SS
28554	(304) 9 lt.	Ø205xh:325	■ Polished SS
28555	(304) 12 lt.	Ø250xh:360	■ Polished SS
28556	(304) 15 lt.	Ø250xh:560	■ Polished SS

**DUST BIN OPEN**

28647	(430) 5 lt.	Ø205xh:210	■ Polished SS
28648	(430) 7 lt.	Ø205xh:300	■ Polished SS
28649	(430) 9 lt.	Ø205xh:330	■ Polished SS
28650	(430) 12 lt.	Ø205xh:530	■ Polished SS
28651	(430) 15 lt.	Ø205xh:640	■ Polished SS

# Trash Cans



## DUST BIN OPEN

502245 | (304) 5 lt. | Ø194xh:242 | ■ Polished SS



## DUST BIN OPEN

502646 | (304) 7 lt. | Ø222xh:260 | ■ Matte Black



## DUST BIN OPEN

27560	(304) 3 lt.	Ø195xh:240	■ Polished SS
27561	(304) 5 lt.	Ø215xh:270	■ Polished SS
27563	(304) 12 lt.	Ø245xh:345	■ Polished SS
27655	(430) 3 lt.	Ø195xh:240	■ Polished SS
27656	(430) 5 lt.	Ø215xh:270	■ Polished SS
27658	(430) 12 lt.	Ø245xh:345	■ Polished SS



## DUST BIN, OPEN

27569	(304) 3 lt.	Ø185xh:255	■ Polished SS
27570	(304) 5 lt.	Ø205xh:280	■ Polished SS
27572	(304) 12 lt.	Ø245xh:355	■ Polished SS
27664	(430) 3 lt.	Ø185xh:255	■ Polished SS
27665	(430) 5 lt.	Ø205xh:280	■ Polished SS
27666	(430) 12 lt.	Ø245xh:355	■ Polished SS
27673	(430) 16 lt.	Ø315xh:340	■ Polished SS



**DUST BIN OPEN**

28521	(304) 3 lt.	Ø186xh:320	■ Polished SS
28522	(304) 5 lt.	Ø211xh:270	■ Polished SS
28523	(304) 12 lt.	Ø256xh:365	■ Polished SS
28618	(430) 3 lt.	Ø186xh:320	■ Polished SS
28619	(430) 5 lt.	Ø211xh:270	■ Polished SS
28620	(430) 12 lt.	Ø256xh:365	■ Polished SS



**DUST BIN OPEN**

27877	Delikli	Ø230xh:300	■ Matte Black
-------	---------	------------	---------------



**DUST BIN OPEN**

479420	Fileli	Ø240xh:280	■ Matte Black
--------	--------	------------	---------------



**DUST BIN OPEN (Ofis Tipi)**

27876	Delikli	Ø230xh:300	■ Matte Black
-------	---------	------------	---------------

# Trash Cans



6 Lt.



4 Lt.



## DUST BIN

28846 Double Ø260xh:290  
28848 Triple Ø260xh:290

■ Matte Black  
■ Matte Black



**DUST BIN**

28843	Ø211xh:270	■ Polished SS
28844	Ø211xh:270	■ Matte Black



# Trash Cans



## DUST BIN

27643 | 11 lf | Ø270xh:290 | Chrome



## DUST BIN (leather cover)

28839 | 235x325x300 Special Colour  
28840 | 235x325x300 Special Colour

28838 | Conical Inner Bucket  
28841 | Inner Hanger Bucket  
28842 | sticker



**DUST BIN (leather cover)**

28636	3 lt	Ø186xh:320	Special Colour
28637	5 lt	Ø186xh:320	Special Colour



**DUST BIN (leather cover)**

190030	3 lt	Ø210xh:260	Special Colour
--------	------	------------	----------------



**DUST BIN (leather cover)**

190024	Ø210xh:260	Special Colour
--------	------------	----------------



**DUST BIN (leather cover)**

28638	Ø210xh:300	Special Colour
-------	------------	----------------

# Liquid Soap Types



## SOAP DISPENSER, PHOTOCCELL 700 ml

- 502840 ■ Matte Stainless Steel
- 502640 ■ Matte Black
- 502440 ■ Gold

- 502842 ■ Matte Stainless Steel



SOAP DISPENSER, PHOTOCCELL 1100 ml

- 502844 ■ Matte Stainless Steel
- 502845 ■ Matte Black
- 502444 ■ Gold

# Liquid Soap Types



SOAP DISPANSER, PHOTOCCELL 900 ml

502940 | ■ ABS/Gray

FOAM DISPANCER, PHOTOCCELL 900 ml

502942 | ■ ABS/Gray



SOAP DISPENSER, PHOTOCCELL 500 ml

- 501843 Single ■ Matte Stainless Steel
- 501845 Double ■ Matte Stainless Steel
- 501847 Triple ■ Matte Stainless Steel

# Liquid Soap Types



SOAP DISPANSER, PHOTOCCELL , 1200 ml

34553 SOAP DISPANSER Matte Stainless Steel



SOAP DISPANSER, PHOTOCCELL , 1100 ml

34768 SOAP DISPANSER ABS White  
34766 Disinfectant ABS White



SOAP DISPANSER, PHOTOCCELL , 2100 ml

34563 SOAP DISPANSER Matte Stainless Steel  
34760 Disinfectant Matte Stainless Steel



SOAP DISPANSERS DECK MOUNTED 1000 ml

34151 SOAP DISPANSER Chrome  
34150 Foam Dispenser Chrome



SOAP DISPANSERS DECK MOUNTED1000 ml

- |       |                |          |
|-------|----------------|----------|
| 34148 | SOAP DISPANSER | ■ Chrome |
| 34162 | Foam Dispenser | ■ Chrome |



› Tezgah üstü çanak lavabolar için uygundur.

SOAP DISPANSERS DECK MOUNTED1000 ml

- |       |                |          |
|-------|----------------|----------|
| 34149 | SOAP DISPANSER | ■ Chrome |
| 34161 | Foam Dispenser | ■ Chrome |



SOAP DISPANSERS DECK MOUNTED1000 ml

- |       |                |          |
|-------|----------------|----------|
| 34248 | SOAP DISPANSER | ■ Chrome |
| 34262 | Foam Dispenser | ■ Chrome |



SOAP DISPANSERS DECK MOUNTED1000 ml

- |       |          |
|-------|----------|
| 34152 | ■ Chrome |
|-------|----------|



SENSOR FAUCET AND SOAP DISPENSER1000 ml

- |        |          |
|--------|----------|
| 401140 | ■ Chrome |
|--------|----------|



SENSOR FAUCET AND SOAP DISPENSER 1000 ml

- |        |          |
|--------|----------|
| 401148 | ■ Chrome |
|--------|----------|



# Liquid Soap Types



SOAP DISPANSER, 1000 ml

34145 | Chrome



SOAP DISPANSER, 1000 ml

34146 | Chrome



SOAP DISPANSER, 1000 ml

34742 | Chrome



Foam



FOAM DISPENSER, 1000 ml

34147 | Chrome



SOAP DISPANSER, 1000 ml

34745 | Chrome



SOAP DISPANSER, 1000 ml

34741 | Chrome



**SOAP DISPANSER, 200 ml**

- |       |              |          |
|-------|--------------|----------|
| 34560 | Table Top    | ■ Chrome |
| 34559 | Wall Mounted | ■ Chrome |



**SOAP DISPANSER, 200 ml**

- |       |              |               |
|-------|--------------|---------------|
| 34660 | Table Top    | ■ Matte Black |
| 34659 | Wall Mounted | ■ Matte Black |



**SOAP DISPANSER**

- |       |         |               |                         |
|-------|---------|---------------|-------------------------|
| 34520 | 500 ml  | Plastik Pompa | ■ Matte Stainless Steel |
| 34519 | 1000 ml | Plastik Pompa | ■ Matte Stainless Steel |
| 34521 | 500 ml  | Pirinç Pompa  | ■ Matte Stainless Steel |
| 34518 | 1000 ml | Pirinç Pompa  | ■ Matte Stainless Steel |



**SOAP DISPANSER, 1000 ml**

- |       |                         |
|-------|-------------------------|
| 34523 | ■ Matte Stainless Steel |
|-------|-------------------------|



Foam



**FOAM DISPENSER 1000 ml**

- |       |                         |
|-------|-------------------------|
| 34524 | ■ Matte Stainless Steel |
| 34525 | ■ Polished SS           |



**SOAP DISPANSER, 800 ml**

- |       |              |
|-------|--------------|
| 34777 | ABS/Aluminum |
|-------|--------------|

# Liquid Soap Types



Metal Pump

SOAP DISPANSER, 450 ml

34545 | ■ Chrome



Metal Pump

SOAP DISPANSER, 450x2 ml

34546 | ■ Chrome



SOAP DISPANSER

34726 | Single 170 ml | ■ ABS Chrome  
34727 | Single 250 ml | ■ ABS Chrome



SOAP DISPANSER

34728 | Double 170 ml x 2 | ■ ABS Chrome  
34729 | Double 250 ml x 2 | ■ ABS Chrome



SOAP DISPANSER

34848 | Single 380 ml | ■ ABS Chrome  
34858 | Single 380 ml | ■ ABS Mat Chrome



SOAP DISPANSER

34828 | Double 380 ml x 2 | ■ ABS Chrome  
34838 | Double 380 ml x 2 | ■ ABS Mat Chrome



SOAP DISPENSER

34515 | Polished SS



SOAP DISPENSER

34505 | TABLE TOP | Polished SS  
34507 | Wall Mounted | Polished SS



SOAP DISPENSER

34516 | TABLE TOP | Polished SS



SOAP DISPENSER

34526 | TABLE TOP | Polished SS



SOAP DISPENSER

34506 | Table Top | Polished SS  
34508 | Wall Mounted | Polished SS



SOAP DISPENSER

34510 | TABLE TOP | Polished SS

# Liquid Soap Types



SOAP DISPENSER

34503 | TABLE TOP | ■ Chrome



SOAP DISPENSER

34502 | TABLE TOP | ■ Polished SS



FOAM DISPENSER

34758 | 750 ml | ■ ABS Chrome



FOAM DISPENSER

34759 | 750 ml | □ ABS White



SOAP DISPENSER

34767 | 600 ml | ■ ABS Chrome  
34464 | 1100 ml | ■ ABS Chrome



SOAP

35202 | ■ Chrome



# Wire Basket



WIRE BASKET

15143 | 175x165xh:40 | ■ Polished SS



WIRE BASKET

15243 | 280x100xh:40 | ■ Polished SS



**WIRE BASKET**

15248 | 200x200xh:70 | ■ Chrome



**WIRE BASKET**

15249 | 200x110xh:70 | ■ Chrome



**WIRE BASKET**

15250 | 200x112xh:22 | ■ Chrome



**WIRE BASKET**

15135 | 200x110xh:45 | ■ Chrome



**WIRE BASKET**

15646 | 220x110xh:45 | ■ Matte Black



**WIRE BASKET**

15141 | 125x80xh:45 | ■ Chrome



# Wire Basket



WIRE BASKET

15252 | 180x180 | Chrome



WIRE BASKET

15652 | 180x180 | Matte Black



WIRE BASKET

15452 | 180x180 | Gold



WIRE BASKET

15352 | 150x220 | Chrome



WIRE BASKET

15655 | 150x220 | Matte Black



WIRE BASKET

15455 | 150x220 | Gold



WIRE BASKET

15253 | 180x180 | Chrome



WIRE BASKET

15353 | 150x220 | Chrome



WIRE BASKET

15653 | 180x180 | ■ Matte Black



WIRE BASKET

15654 | 150x220 | ■ Matte Black



WIRE BASKET

15453 | 180x180 | ■ Gold



WIRE BASKET

15454 | 150x220 | ■ Gold



WIRE BASKET

15254 | 180x180 | ■ Chrome



WIRE BASKET

15354 | 150x220 | ■ Chrome

# Wire Basket



## WIRE BASKET

15115 | 180x180 | ■ Chrome  
15116 | 220x220 | ■ Chrome



## WIRE BASKET

15616 | 180x180 | ■ Matte Black  
15617 | 220x220 | ■ Matte Black



## WIRE BASKET

15416 | 180x180 | ■ Gold



## WIRE BASKET

15119 | 180x180 | ■ Chrome  
15120 | 220x220 | ■ Chrome



## WIRE BASKET

15619 | 180x180 | ■ Matte Black  
15620 | 220x220 | ■ Matte Black



## WIRE BASKET

15419 | 180x180 | ■ Gold



## WIRE BASKET

15123 | 180x180 | ■ Chrome  
15124 | 220x220 | ■ Chrome



## WIRE BASKET

15623 | 180x180 | ■ Matte Black  
15624 | 220x220 | ■ Matte Black



WIRE BASKET

15102	180x180	■ Chrome
15103	220x220	■ Chrome



WIRE BASKET

15105	180x180	■ Chrome
15106	220x220	■ Chrome



WIRE BASKET

15108	180x180	■ Chrome
15147	220x220	■ Chrome



WIRE BASKET

15255	■ Chrome
-------	----------



WIRE BASKET

15137	■ Chrome
-------	----------



WIRE BASKET

15251	■ Chrome
-------	----------

# Magnifying Mirrors



MAGNIFYING MIRRORS 3X

506109 | Chrome



**MAGNIFYING MIRRORS 3X**

506101 | ■ Chrome



**MAGNIFYING MIRRORS 3X**

866609 | ■ Chrome

Led Işıklı



**MAGNIFYING MIRRORS**

506102 | ■ Chrome  
506602 | ■ Matte Black  
506402 | ■ Gold



Led Işıklı



**MAGNIFYING MIRRORS, 3X**

866610 | ■ Chrome



**MAGNIFYING MIRRORS, 3X**

506103 | ■ Chrome



**MAGNIFYING MIRRORS, 3X**

866768 | ■ Chrome

# Magnifying Mirrors



MAGNIFYING MIRRORS

50604 | Chrome



MAGNIFYING MIRRORS

506110 | Chrome



MAGNIFYING MIRRORS

506111 | Chrome



MAGNIFYING MIRRORS

506105 | Chrome



MAGNIFYING MIRRORS 2X

506108 | Chrome







# Towel Rack





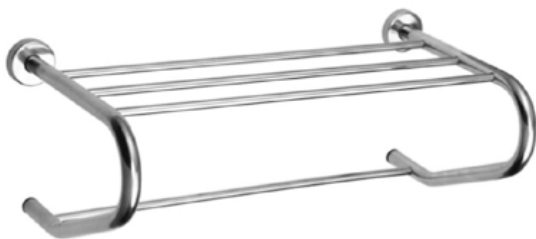
**TOWEL RACK 640 mm**

- 17210 ■ Polished SS
- 17214 ■ Matte Black



**TOWEL RACK 500 mm**

- 17215 ■ Chrome
- 17235 ■ Polished SS



**TOWEL RACK 500 mm**

- 17102 ■ Chrome
- 17110 ■ Polished SS



**TOWEL RACK 500 mm**

- 17103 ■ Chrome
- 17107 ■ Polished SS



**TOWEL RACK 500 mm**

- 17101 | 4'lü | ■ Chrome
- 17108 | 3'lü | ■ Polished SS



**TOWEL RACK 500 mm**

- 126141 | ■ Chrome

# Clothes Line



TOWEL RING 500 mm

17112 | 4'ü | ■ Polished SS  
17212 | 3'ü | ■ Polished SS



EXTENSIBLE CLOTH LINE 2500 mm

38538 | ■ Polished SS



TOWEL RING 500 mm

17115 | ■ Polished SS



TOWEL RING 500 mm

17114 | ■ Polished SS





**TOWEL RING 550 mm**

17645	550 mm	● Aluminum Black
17646	750 mm	● Aluminum Black
17647	950 mm	● Aluminum Black
17648	1200 mm	● Aluminum Black



**TOWEL RING**

17345	550 mm	○ Aluminum White
17346	750 mm	○ Aluminum White
17347	950 mm	○ Aluminum White
17348	1200 mm	○ Aluminum White

# Kleenex Box



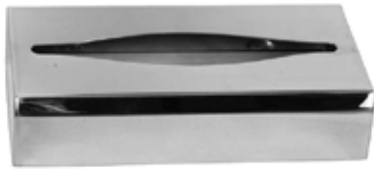
## HYGIENE BAG BOX

- 39708 ■ ABS Chrome
- 39608 ■ ABS Matte Black



## HYGIENE BAG BOX

- 39507 ■ Polished SS



**KLEENEX BOX**

- 39501  Polished SS
- 39601  Matte Black



**KLEENEX BOX**

- 39504  Kapaklı  Polished SS
- 39604  Kapaklı  Matte Black



**KLEENEX BOX**

- 39003  Leather
- 39004  Leather



**KLEENEX BOX**

- 39006  Leather
- 39007  Leather



**KLEENEX BOX**

- 39702  ABS Chrome
- 39602  ABS Matte Black



**KLEENEX BOX**

- 39709  ABS Chrome
- 39008  ABS Matte Black

# Grab Bars



## GRAB BAR

16105 |  $\varnothing 20$  | Chrome  
16212 |  $\varnothing 25$  | Chrome



## GRAB BAR

16122 |  $\varnothing 25$  | Chrome



**GRAB BAR**

16102	Ø20 / 300 mm	■ Chrome
16104	Ø20 / 500 mm	■ Chrome
16123	Ø25 / 300 mm	■ Chrome
16124	Ø25 / 500 mm	■ Chrome



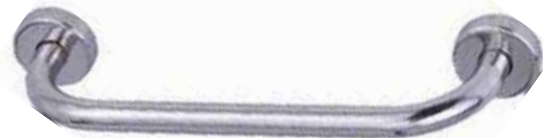
**GRAB BAR, Ø 25 mm**

161090	Ø25/300 mm	■ Matte Black
161150	Ø25/500 mm	■ Matte Black



**GRAB BAR**

16106	Ø20	■ Chrome
16206	Ø25	■ Chrome



**GRAB BAR,**

16107	Ø20/300 mm	■ Polished SS
16108	Ø20/400 mm	■ Polished SS
16117	Ø20/500 mm	■ Polished SS
16109	Ø25/300 mm	■ Polished SS
16110	Ø25/400 mm	■ Polished SS
16115	Ø25/500 mm	■ Polished SS



**GRAB BAR**

16113	Ø20	■ Polished SS
16114	Ø25	■ Polished SS

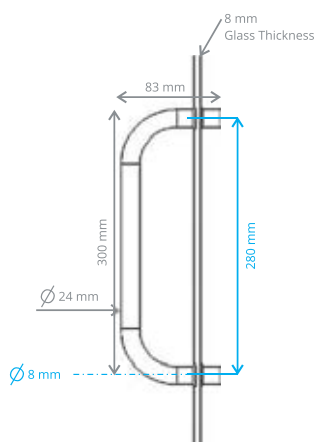


**GRAB BAR**

16111	Ø20	■ Polished SS
16112	Ø20	■ Polished SS

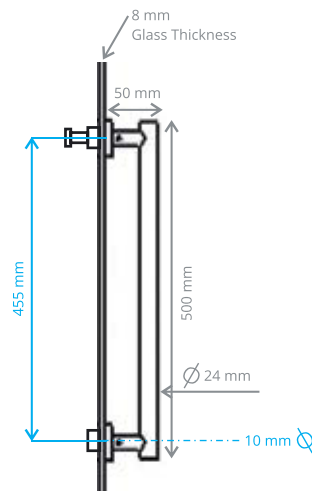


# Glass Door Bar



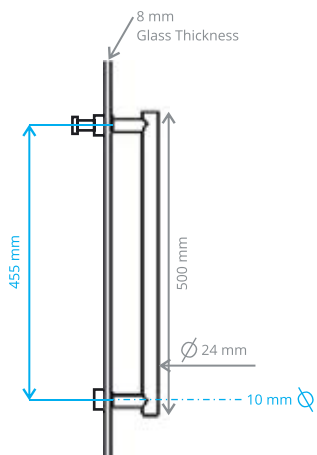
GLAS DOOR BAR

510120 | ■ Chrome



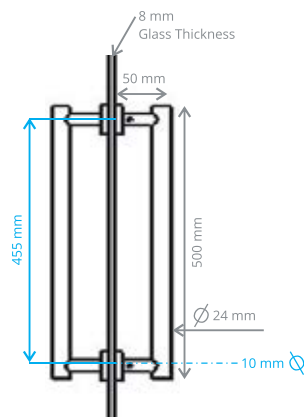
GLAS DOOR BAR

510121 | ■ Chrome



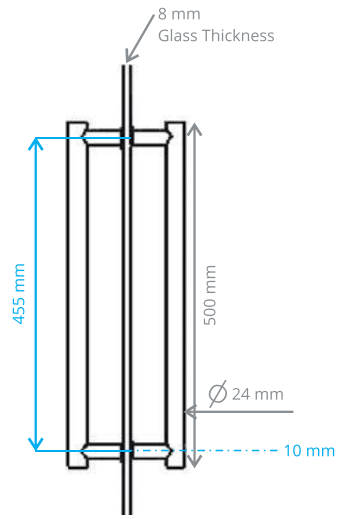
GLAS DOOR BAR

510122 | ■ Chrome



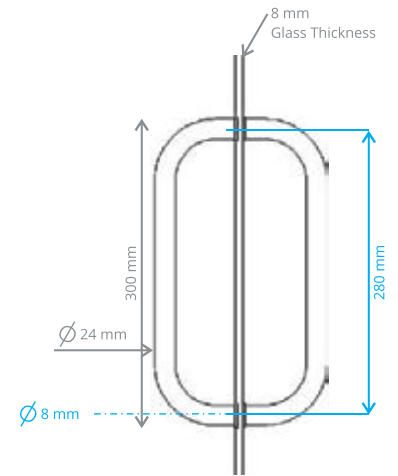
GLAS DOOR BAR

510123 | ■ Chrome



GLAS DOOR BAR

510124 | ■ Chrome



GLAS DOOR BAR

510125 | ■ Chrome









# Hair Dryers





HAIR DRYER 1400 W

8221195  White  
8221201  Black



HAIR DRYER 1400 W

8221197  White  
8221203  Black



HAIR DRYER /BRITTONY 1600 W

8221181  White  
8221183  Black



HAIR DRYER /BRITTONY 1600 W

8221186  White  
8221189  Black



HAIR DRYER /ALTEO 1875 W

8221175  White  
8221178  Black



HAIR DRYER /ALTEO 1875 W

8221176  White  
8221179  Black

# Hair Dryers







HAIR DRYER 1800-2200 W

8221211  White  
8221212  Black



HAIR DRYER 1800-2200 W

8221213 | Prizli |  White



HAIR DRYER 1350 W

8221214 | Prizli |  White



HAIR DRYER /PAGGIO 1250 W

822248 |  Krem



HAIR DRYER 1200 W

8221215  White  
8221216  Black



HAIR DRYER 1350 W

375144 |  White

# Hair Dryers



HAIR DRYER 1600 W

- |         |        |   |
|---------|--------|---|
| 8221217 | Prizli | <input type="checkbox"/> White            |
| 8221218 | Prizli | <input checked="" type="checkbox"/> Black |



HAIR DRYER 1600 W

- |         |   |
|---------|---|
| 8221223 | <input type="checkbox"/> White            |
| 8221224 | <input checked="" type="checkbox"/> Black |



HAIR DRYER 1800-2200 W

- |         |   |
|---------|---|
| 8221219 | <input type="checkbox"/> White            |
| 8221220 | <input checked="" type="checkbox"/> Black |

JVD



HAIR DRYER /BRITTONY 1600 W

8221046  White  
8221142  Gümüş  
8221047  Black

JVD



HAIR DRYER /ALTEO 1875 W

8221043  White  
8221139  Gümüş  
8221044  Black

JVD



HAIR DRYER /LINEO 1600 W

8221329  White  
8221330  Black



HAIR DRYER 1350 W

8221225  White



HAIR DRYER, Hanger

866952  Chrome

JVD



HAIR DRYER, Hanger

866951  Chrome

# Trays And Kettles



JVD



PRESENTATION TRAY/KETTLE/TEA COFFEE BOX, MELAMINE

866392 | ■ Krem

JVD



PRESENTATION TRAY/KETTLE/TEA COFFEE BOX, MELAMINE

866390 | ■ Black



PRESENTATION TRAY/KETTLE/TEA COFFEE BOX, MELAMINE

- 866395 |  White
- 866393 |  Cream
- 866391 |  Black



PRESENTATION TRAY/KETTLE

- 866396 |  Walnut



PRESENTATION TRAY/KETTLE, WOOD

- 38035 |  Walnut



PRESENTATION TRAY/KETTLE, MELAMINE

- 866397 |  White
- 866398 |  Krem
- 866399 |  Black



PRESENTATION TRAY/KETTLE, WOOD

- 38034 |  Walnut



PRESENTATION TRAY/KETTLE

- 38733 |  Black

# Electronic Safe



## ELECTRONIC SAFES

38568	250x350x250	<input type="checkbox"/> White
38558	250x350x250	<input checked="" type="checkbox"/> Black
38569	200x450x330	<input type="checkbox"/> White
38559	200x450x330	<input checked="" type="checkbox"/> Black



ELECTRONIC SAFES

38579	250x350x250	<input type="checkbox"/> White
38580	250x350x250	<input checked="" type="checkbox"/> Black
38581	200x450x330	<input type="checkbox"/> White
38582	200x450x330	<input checked="" type="checkbox"/> Black



ELECTRONIC SAFES

38587	250x350x250	<input type="checkbox"/> White
38588	250x350x250	<input checked="" type="checkbox"/> Black
38589	200x450x330	<input type="checkbox"/> White
38590	200x450x330	<input checked="" type="checkbox"/> Black



ELECTRONIC SAFES

38583	225x400x435	<input type="checkbox"/> White
38584	225x400x435	<input checked="" type="checkbox"/> Black
38585	225x400x470	<input type="checkbox"/> White
38586	225x400x470	<input checked="" type="checkbox"/> Black

# Mini Bars







MINIBAR 40 lt.

- |         |   |
|---------|---|
| 8661357 | <input type="checkbox"/> White            |
| 8661353 | <input checked="" type="checkbox"/> Black |

MINIBAR GLASS COVER 40 lt.

- |         |   |
|---------|---|
| 8661358 | <input type="checkbox"/> White            |
| 8661354 | <input checked="" type="checkbox"/> Black |



MINIBAR 30 lt.

- |         |   |
|---------|---|
| 8661355 | <input type="checkbox"/> White            |
| 8661351 | <input checked="" type="checkbox"/> Black |

MINIBAR GLASS COVER 30 lt.

- |         |   |
|---------|---|
| 8661356 | <input type="checkbox"/> White            |
| 8661352 | <input checked="" type="checkbox"/> Black |

# Mini Bars



## MINI BAR 35 lt.

38555	Block Cover	<input type="checkbox"/> White
38554	Glass Cover	<input type="checkbox"/> White



## MINI BAR 35 lt.

38764	Block Cover	<input checked="" type="checkbox"/> Black
38765	Glass Cover	<input checked="" type="checkbox"/> Black



MINI BAR 45 Lt.

- |       |             |         |
|-------|-------------|---------|
| 38766 | Block Cover | ● Black |
| 38767 | Glass Cover | ● Black |



MINI BAR 45 Lt.

- |       |             |         |
|-------|-------------|---------|
| 38557 | Block Cover | □ White |
| 38556 | Glass Cover | □ White |

# Folding Luggage Rack For Room



## FOLDING LUGGAGE RACK

- 38810 Arkaliksız Chrome
- 38811 Arkaliksız Stainless Steel

## FOLDING LUGGAGE RACK

- 38812 Arkaliksız Gold



FOLDING LUGGAGE RACK

38814 Arkalıklı Chrome  
38515 Arkalıklı Stainless Steel



FOLDING LUGGAGE RACK

38216 Arkalıklı Gold



FOLDING LUGGAGE RACK

38813 Arkaliksız Ahşap  
38017 Arkalıklı Ahşap



FOLDING LUGGAGE RACK

501301 Arkaliksız Stainless Steel

# Ironing Table And Vacuum Cleaner





IRON Table

- 866925 IRON Table
- 866926 Askı Aparatı



IRON Table

- 866632 IRON Table
- 866635 Askı Aparatı



VACUUM CLEANER

38726



IRON TABLE

8661603



VACUUM CLEANER

38727



# Cleaning Trolley



CLEANING TROLLEY

■ 38728





CLEANING TROLLEY

■ 38027



CLEANING TROLLEY

■ 38028



CLEANING TROLLEY

■ 38825

# Cleaning Trolley



## LUGGAGE TROLLEY

- 38218 ■ Stainless Steel
- 38219 ■ Gold



## LUGGAGE TROLLEY

- 38824 ■ Stainless Steel
- 38822 ■ Paint



## LUGGAGE TROLLEY

- 38725



# Shoe Polishing Machine And Barriers



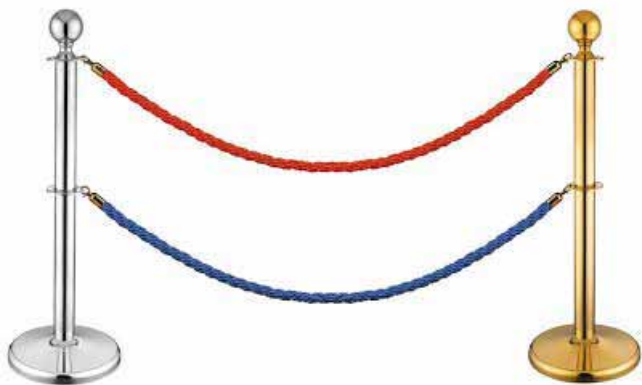
SHOE POLISHING MACHINE

■ 38105 | 370x210x330 mm



SHOE POLISHING MACHINE

■ 38108 | 550x340x910 mm



BARRIERS

■ 38102 Chrome  
■ 38098 Gold  
38099 Rope



BARRIERS

■ 38101 Chrome  
■ 38103 Paint

# Other Equipment



TELEPHONE, ROOM

38738 | ■ Black



TELEPHONE, BATHROOM

38736 | ■ Black



SCALE

■ 8661146



CIGARETTE ASHTRAY

38750 | ø70mm 90mm | ■ Stainless Steel

38751 | ø70mm 120mm | ■ Stainless Steel



HANGER WITH HOOK

■ 38752  
■ 38753



HANGER WITH HOOK

■ 38754  
■ 38755

# Door Lock Systems



## DOOR LOCK SYSTEMS



# Hotel Room Accessories



LEATHER HOTEL ACCESSORIES

■ 941006



LEATHER HOTEL ACCESSORIES

■ 941012 | 105x160mm



LEATHER HOTEL ACCESSORIES

■ 941005



LEATHER HOTEL ACCESSORIES

■ 941009



LEATHER HOTEL ACCESSORIES

■ 941010  
■ 941030 Ekstra Yaprak



LEATHER HOTEL ACCESSORIES

■ 941011



LEATHER HOTEL ACCESSORIES

■ 941014



LEATHER HOTEL ACCESSORIES

■ 941001



LEATHER HOTEL ACCESSORIES

■ 941002



LEATHER HOTEL ACCESSORIES

■ 941003 | 100x100 mm



LEATHER HOTEL ACCESSORIES

■ 941004 | ø90 mm



LEATHER HOTEL ACCESSORIES

■ 941013

# Hotel Room Accessories



LEATHER HOTEL ACCESSORIES

■ 941022



LEATHER HOTEL ACCESSORIES

■ 941018 | 150x210 mm



LEATHER HOTEL ACCESSORIES

■ 941020 | 320x420 mm



LEATHER HOTEL ACCESSORIES

■ 941021 | 320x420 mm



LEATHER HOTEL ACCESSORIES

■ 941015 | 350x300 mm



LEATHER HOTEL ACCESSORIES

■ 941019 | 210x297 mm





LEATHER HOTEL ACCESSORIES

■ 941023 | 90x70 mm



LEATHER HOTEL ACCESSORIES

■ 941016



LEATHER HOTEL ACCESSORIES

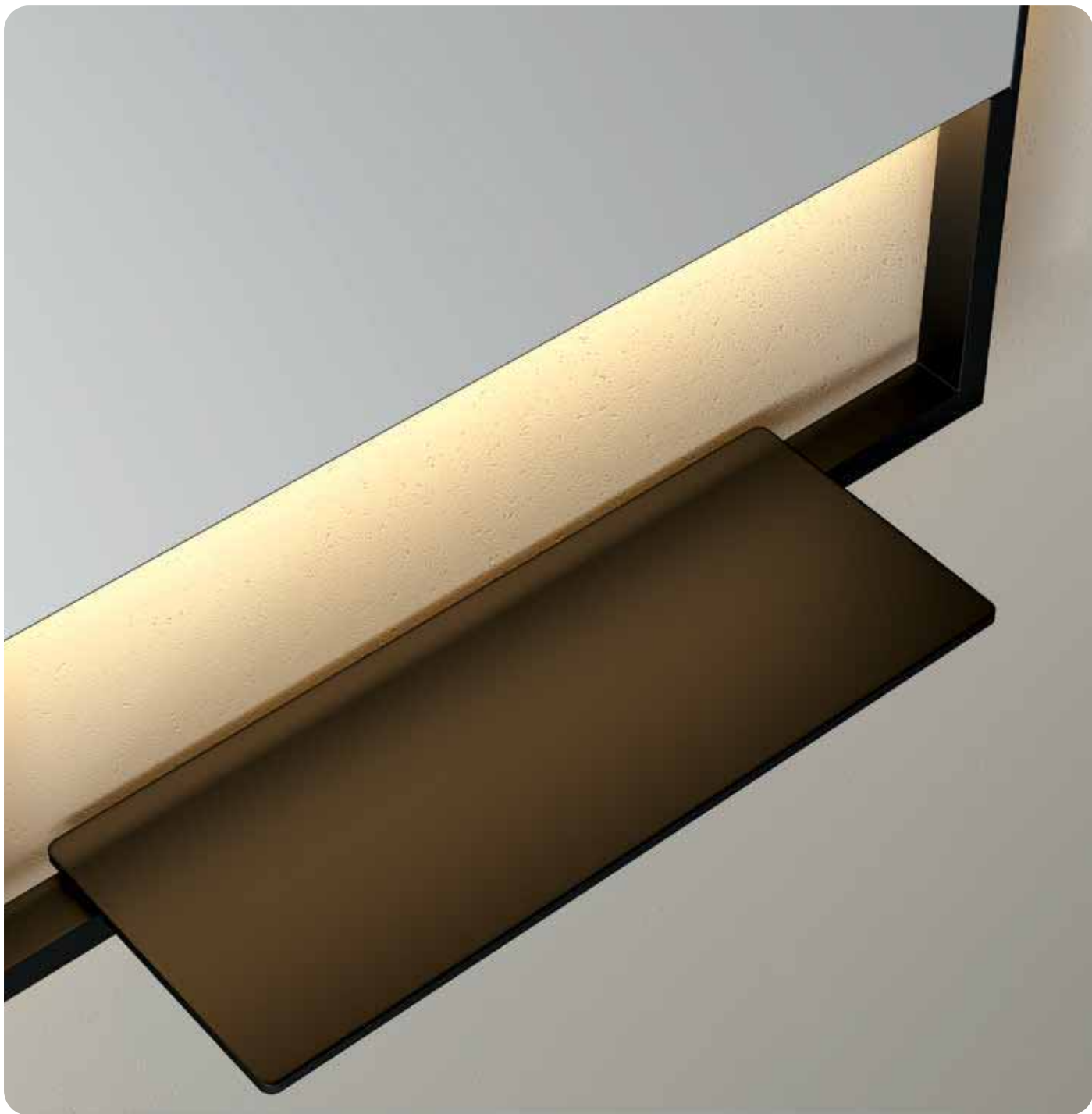
■ 941017








# Led Mirrors

# Led Mirrors



	You Ask	(Q)
	Touch	(W)
	Anti-Fog	(Z)
	Magnifying	(X)

→ Prices Do Not Include Sensor, Touch, Anti-fog, Magnifier.

→ You can use the symbol, price of the feature you want in the mirror code.

Place your order by adding it to the end and list price.

→ Sensor (Q), Touch (W), Anti-Fog (Z), Magnifier (X)

→ Get information for different sizes and features.



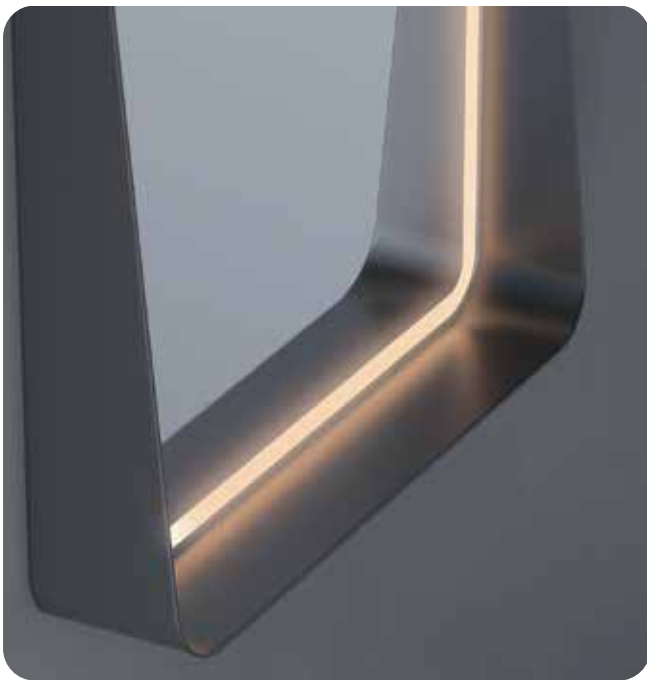
MIRROR, METAL FRAME, LED LIGHT

612018

Ø 700mm

■ Black

# Led Mirrors



 > Touch

MIRROR, METAL FRAME, LED LIGHT

612022

800x600 mm

● Black



 > Touch

MIRROR, METAL FRAME, LED LIGHT

612012	1000x700 mm	■ Black
612014	800x600 mm	■ Black

# Led Mirrors



 > Touch

MIRROR, METAL FRAME, LED LIGHT

612016

Ø 700mm

■ Black





 > Touch

MIRROR, METAL FRAME, LED LIGHT

612024

Ø 700mm

■ Black

# Led Mirrors

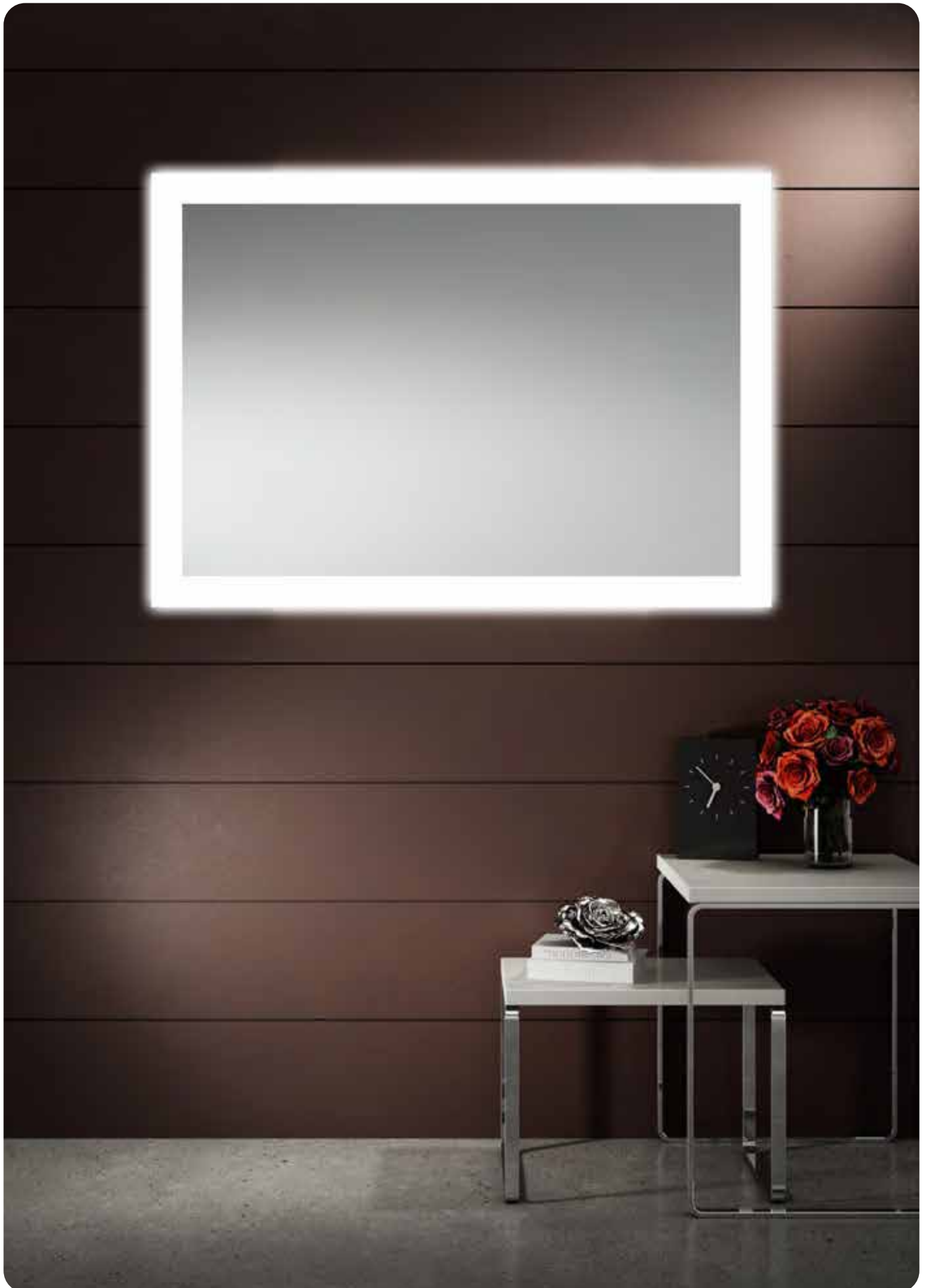


 > Touch.

MIRROR, METAL FRAME, LED LIGHT

612032 | HORIZONTAL, 1000x700 mm  
612034 | VERTICAL, 800x600 mm

■ Black  
■ Black



# Led Mirrors



MIRROR, LED LIGHT

612056

Ø 700mm



MIRROR, LED LIGHT

612058

Ø 700mm

# Led Mirrors



MIRROR, LED LIGHT

612072

Ø 700mm



MIRROR, LED LIGHT

612064

1000x700 mm

612066

800x600 mm

# Led Mirrors



## MIRROR, METAL FRAME, LED LIGHT

612076	On/Off 1000x700 mm	■ Aluminum
612078	On/Off 800x600 mm	■ Aluminum





MIRROR, METAL FRAME, LED LIGHT

612088	On/Off 1000x700 mm	■ Aluminum
612090	On/Off 800x600 mm	■ Aluminum

# Led Mirrors



MIRROR, METAL FRAME, LED LIGHT

612108	On/Off 1000x700 mm	■ Aluminum
612110	On/Off 800x600 mm	■ Aluminum



MIRROR, METAL FRAME, LED LIGHT

612100	On/Off 1000x700 mm	■ Aluminum
612102	On/Off 800x600 mm	■ Aluminum

# Led Mirrors



## MIRROR, METAL FRAME, LED LIGHT

612104	On/Off 1000x700 mm	■ Aluminum
612106	On/Off 800x600 mm	■ Aluminum



MIRROR, METAL FRAME, LED LIGHT

612044	On/Off 1000x700 mm	■ Aluminum
612046	On/Off 800x600 mm	■ Aluminum

# Affordable Mirrors



MIRROR

42117		400x500mm
42119		450x600mm
42130	<b>Strapless</b>	400x600mm



MIRROR

42123		500x700mm
-------	--	-----------



MIRROR

42125		500x700mm
-------	--	-----------



MIRROR

42115		400x500mm
42121		450x600mm
42127	<b>Strapless</b>	400x500mm



MIRROR

42118		400x500mm
42120		450x600mm
42128	<b>Strapless</b>	400x600mm



MIRROR

42116		400x500mm
42122		450x600mm
42129	<b>Strapless</b>	400x500mm







# Towels & Waste Combination Units





TOWELS & WASTE COMBINATION UNITS, Photocell

23502 | ■ Stainless Steel



TOWELS & WASTE COMBINATION UNITS, Photocell

23501 | ■ Stainless Steel

# Towels & Waste Combination Units



TOWELS & WASTE COMBINATION UNITS, Photocell

23503  
235039

- Stainless Steel
- Stainless Steel



TOWELS & WASTE COMBINATION UNITS, Photocell

23504  
235049

- Stainless Steel
- Stainless Steel



TOWELS & WASTE COMBINATION UNITS,

23507  
235079

- Stainless Steel
- Stainless Steel

TOWELS & WASTE COMBINATION UNITS,

23511  
235119

- Stainless Steel
- Stainless Steel

# Towels & Waste Combination Units



TOWELS & WASTE COMBINATION UNITS,  
23510 | ■ Stainless Steel



TOWELS & WASTE COMBINATION UNITS,

- 23512
- 235129
- 23612
- 236129

- Stainless Steel
- Stainless Steel
- Mat Black
- Mat Black



TOWELS & WASTE COMBINATION UNITS,

- |        |                   |
|--------|-------------------|
| 23560  | ■ Stainless Steel |
| 235609 | ■ Stainless Steel |



TOWELS & WASTE COMBINATION UNITS,

- |       |     |                   |
|-------|-----|-------------------|
| 23619 | 430 | ■ Stainless Steel |
| 23520 | 304 | ■ Stainless Steel |

# Towels & Waste Dispensers







PHOTOCELL TOWEL AND WASTE DISTRIBUTORS

- |        |                   |
|--------|-------------------|
| 22507  | ■ Stainless Steel |
| 225079 | ■ Stainless Steel |



PHOTOCELL TOWEL AND WASTE DISTRIBUTORS

- |       |             |
|-------|-------------|
| 22607 | ■ Mat Black |
|-------|-------------|



PHOTOCELL TOWEL AND WASTE DISTRIBUTORS

- |       |         |
|-------|---------|
| 22708 | ■ Blue  |
| 22709 | ■ Brown |



PHOTOCELL TOWEL AND WASTE DISTRIBUTORS

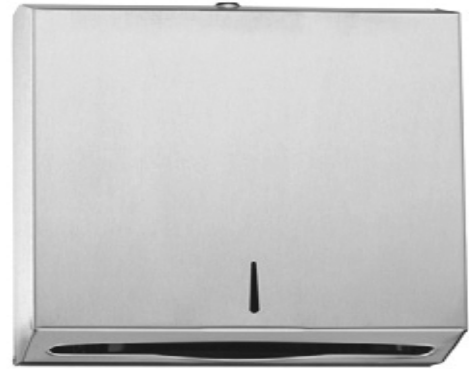
- |       |            |
|-------|------------|
| 22710 | ■ Blue     |
| 22711 | ■ Antrasit |

# Towels & Waste Dispensers



## TOWELS DISPENSER

22605	400 lük 430	■ Stainless Steel
22506	400 lük 304	■ Stainless Steel



## TOWELS DISPENSER

22601	200 lük 430	■ Stainless Steel
22502	200 lük 304	■ Stainless Steel



## TOWELS DISPENSER

22606	400 lük	■ Mat Black
-------	---------	-------------



## TOWELS DISPENSER

22602	200 lük	■ Mat Black
-------	---------	-------------



TOWELS DISPENSER

22514 400 lük 304 ■ Stainless Steel



TOWELS DISPENSER

22614 400 lük ■ Mat Black



TOWELS DISPENSER

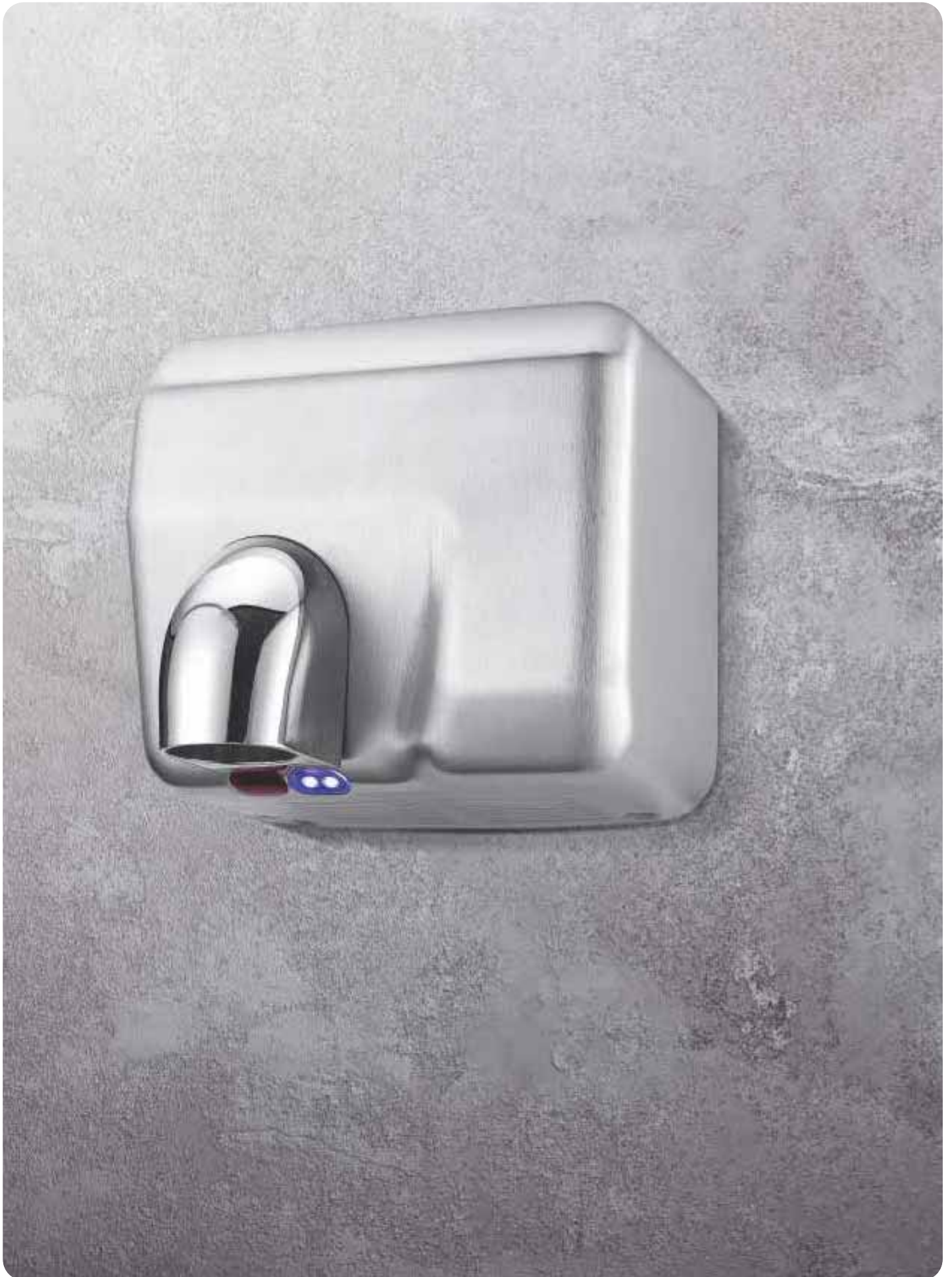
22516 400 lük 304 ■ Stainless Steel



TOWELS DISPENSER

22510 □ White  
22511 ■ Blue  
22512 ■ Anthracite

# Hand Dryers





HAND DRYERS 500 W

36255 | ■ Stainless Steel



HAND DRYERS 500 W

36655 | ■ Mat Black



HAND DRYERS 2500 W

36250 | ■ Stainless Steel



HAND DRYERS 2500 W

36251 | ■ Stainless Steel

# Hand Dryers



HAND DRYERS 1500 W

36150 |  ABS White



HAND DRYERS 1300 W

36130 |  Stainless Steel



HAND DRYERS 1000 W

36260 |  Stainless Steel



HAND DRYERS 380 W

36280



HAND DRYERS 1000 W  
36270 | ■ ABS Gri



HAND DRYERS 1330 W  
36271 | ■ ABS Gri



# Paper Holders







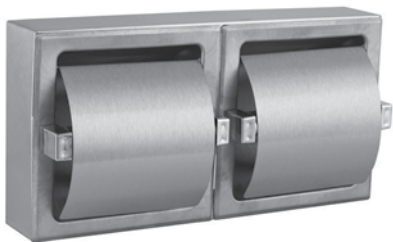
PAPER HOLDERS

21607	430	■ Stainless Steel
21508	304	■ Stainless Steel



PAPER HOLDERS

21610	430	■ Stainless Steel
21511	304	■ Stainless Steel



PAPER HOLDERS

21608	430	■ Stainless Steel
21509	304	■ Stainless Steel



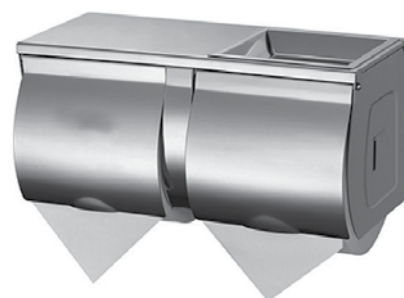
PAPER HOLDERS

21612	430	■ Stainless Steel
21513	304	■ Stainless Steel



PAPER HOLDERS

21630	■ Stainless Steel
21640	■ Stainless Steel



PAPER HOLDERS

21635	■ Stainless Steel
21645	■ Stainless Steel

# Paper Holders



## PAPER HOLDERS

21527 ■ Chrome  
21627 ■ Mat Black



## PAPER HOLDERS

21529 ■ Chrome  
21629 ■ Mat Black



## PAPER HOLDERS

21523 ■ Stainless Steel



## PAPER HOLDERS

21623 ■ Mat Black



## PAPER HOLDERS

21506 ■ Stainless Steel



## PAPER HOLDERS

21652 304 ■ Stainless Steel  
21651 304 ■ Stainless Steel



**PAPER HOLDERSİ**

21501 | Ø 220 mm | ■ Stainless Steel



**PAPER HOLDERS**

21500 | Ø 220 mm | ■ Mat Black



**PAPER HOLDERS, RULO**

21602	Ø 220 mm 430	■ Stainless Steel
21503	Ø 220 mm 304	■ Stainless Steel
21604	Ø 280 mm 430	■ Stainless Steel
21505	Ø 280 mm 304	■ Stainless Steel



**PAPER HOLDERS, RULO**

21601	Ø 220 mm	■ Mat Black
21605	Ø 280 mm	■ Mat Black



**PAPER HOLDERS**

21514 | ■ Stainless Steel

# Seat-Cover Dispenser



SEAT-COVER DISPENSER

21518	304	■ Stainless Steel
21617	430	■ Stainless Steel



SEAT-COVER DISPENSER

21618		■ Mat Black
-------	--	-------------



SEAT-COVER DISPENSER

21521	304	■ Stainless Steel
-------	-----	-------------------



SEAT-COVER DISPENSER

21520	304	■ Stainless Steel
-------	-----	-------------------



TOILET SEAT SYSTEM

- 38104     ABS White
- 36204     ABS Black



TOILET SEAT SYSTEM, ROLL

38146

# Dust Bin



## Soft Kapak



### DUST BIN

27614	(430) 16 lt.	Ø245xh:444	■ Stainless Steel
27528	(430) 20 lt.	Ø315xh:355	■ Stainless Steel
27529	(430) 30 lt.	Ø315xh:444	■ Stainless Steel
27530	(430) 40 lt.	Ø315xh:630	■ Stainless Steel



### DUST BIN

27605	(430) 16 lt.	Ø245xh:444	■ Stainless Steel
27631	(430) 20 lt.	Ø315xh:355	■ Stainless Steel
27632	(430) 30 lt.	Ø315xh:444	■ Stainless Steel
27633	(430) 40 lt.	Ø315xh:630	■ Stainless Steel



**DUST BIN**

28670	(430) 15 lt.	Ø 240x300 mm	■ Stainless Steel
28671	(430) 25 lt.	Ø 240x600 mm	■ Stainless Steel
28672	(430) 38 lt.	Ø 300x650 mm	■ Stainless Steel



**DUST BIN**

28673	(430) 15 lt.	Ø 240x300 mm	■ Stainless Steel
28674	(430) 25 lt.	Ø 240x600 mm	■ Stainless Steel
28675	(430) 38 lt.	Ø 300x650 mm	■ Stainless Steel



**DUST BIN**

28576	(430) 16 lt.	Ø 240x400 mm	■ Stainless Steel
28577	(430) 27 lt.	Ø 300x630 mm	■ Stainless Steel
28578	(430) 50 lt.	Ø 360x850 mm	■ Stainless Steel

# Dust Bin



## DUST BIN

285764	16 lt.	∅ 240x400 mm	■ Mat Black
285774	27 lt.	∅ 300x630 mm	■ Mat Black
285784	50 lt.	∅ 360x850 mm	■ Mat Black



## DUST BIN

27119	430	6 lt.	100x250x250 mm	■ Stainless Steel
27121	430	11 lt.	120x250x360 mm	■ Stainless Steel
27123	430	16 lt.	120x330x400 mm	■ Stainless Steel
27125	430	25 lt.	155x360x435 mm	■ Stainless Steel
27138	304	6 lt.	100x250x250 mm	■ Stainless Steel
27140	304	11 lt.	120x250x360 mm	■ Stainless Steel
27142	304	16 lt.	120x330x400 mm	■ Stainless Steel
27144	304	25 lt.	155x360x435 mm	■ Stainless Steel





DUST BIN

27104	(430) 16 lt.	Ø 245x380 mm	■ Stainless Steel
27105	(430) 20 lt.	Ø 245x465 mm	■ Stainless Steel
27106	(430) 27 lt.	Ø 245x645 mm	■ Stainless Steel
27107	(430) 32 lt.	Ø 315x465 mm	■ Stainless Steel
27108	(430) 45 lt.	Ø 315x645 mm	■ Stainless Steel



DUST BIN

27110	(430) 16 lt.	Ø 245x380 mm	■ Stainless Steel
27111	(430) 20 lt.	Ø 245x465 mm	■ Stainless Steel
27112	(430) 27 lt.	Ø 245x645 mm	■ Stainless Steel
27113	(430) 32 lt.	Ø 315x465 mm	■ Stainless Steel
27114	(430) 45 lt.	Ø 315x645 mm	■ Stainless Steel



Döner Kapaklı



DUST BIN

28561	(304) 30 lt.	Ø250xh:655	■ Stainless Steel
-------	--------------	------------	-------------------



DUST BIN

27627	430 40 lt.	Ø 400x400 mm	■ Stainless Steel
27682	430 50 lt.	Ø 400x500 mm	■ Stainless Steel
27683	430 70 lt.	Ø 400x600 mm	■ Stainless Steel
27680	430 90 lt.	Ø 400x700 mm	■ Stainless Steel
27519	304 40 lt.	Ø 400x400 mm	■ Stainless Steel
27520	304 50 lt.	Ø 400x500 mm	■ Stainless Steel
27521	304 70 lt.	Ø 400x600 mm	■ Stainless Steel
27522	304 90 lt.	Ø 400x700 mm	■ Stainless Steel

# Dust Bin



## DUST BIN

27118	(304) 10 lt.	170x220x240 mm	■ Stainless Steel
27120	(304) 16 lt.	170x220x400 mm	■ Stainless Steel
27122	(304) 27 lt.	200x320x400 mm	■ Stainless Steel
27124	(304) 32 lt.	200x320x500 mm	■ Stainless Steel
27126	(304) 54 lt.	250x360x600 mm	■ Stainless Steel
27128	(304) 84 lt.	300x400x700 mm	■ Stainless Steel



## DUST BIN

28665	430 7 lt.	140x205x335 mm	■ Stainless Steel
28666	430 11 lt.	155x245x430 mm	■ Stainless Steel
28572	304 7 lt.	140x205x335 mm	■ Stainless Steel
28573	304 11 lt.	155x245x430 mm	■ Stainless Steel



## DUST BIN

27501	304 7 lt.	140x235x335 mm	■ Stainless Steel
27502	304 11 lt.	155x245x430 mm	■ Stainless Steel
27503	304 25 lt.	240x280x485 mm	■ Stainless Steel
27504	304 36 lt.	240x280x645 mm	■ Stainless Steel
27510	304 45 lt.	300x350x555 mm	■ Stainless Steel

## DUST BIN

27651	430 7 lt.	140x235x335 mm	■ Stainless Steel
27652	430 11 lt.	155x245x430 mm	■ Stainless Steel
27653	430 25 lt.	240x280x485 mm	■ Stainless Steel
27654	430 36 lt.	240x280x645 mm	■ Stainless Steel
27660	430 45 lt.	300x350x555 mm	■ Stainless Steel



**DUST BIN**

27698	6 lt.	100x250x250 mm
27699	11 lt.	120x250x360 mm



**DUST BIN**

276684	45 lt.	ø315x670 mm
--------	--------	-------------



**DUST BIN**

276685	45 lt.	ø315x600 mm
--------	--------	-------------



**DUST BIN**

27594	304	7 lt.	150x170x285 mm	■ Stainless Steel
27595	304	11 lt.	180x200x390 mm	■ Stainless Steel
27596	304	16 lt.	180x200x500 mm	■ Stainless Steel
27597	304	25 lt.	240x280x480 mm	■ Stainless Steel
27598	304	36 lt.	240x280x635 mm	■ Stainless Steel
27599	304	45 lt.	300x350x555 mm	■ Stainless Steel
27100	304	54 lt.	300x350x615 mm	■ Stainless Steel
27101	304	80 lt.	300x350x895 mm	■ Stainless Steel

**DUST BIN**

27686	430	7 lt.	150x170x285 mm	■ Stainless Steel
27687	430	11 lt.	180x200x390 mm	■ Stainless Steel
27688	430	16 lt.	180x200x500 mm	■ Stainless Steel
27689	430	25 lt.	240x280x480 mm	■ Stainless Steel
27690	430	36 lt.	240x280x635 mm	■ Stainless Steel
27691	430	45 lt.	300x350x555 mm	■ Stainless Steel
27692	430	54 lt.	300x350x615 mm	■ Stainless Steel
27693	430	80 lt.	300x350x895 mm	■ Stainless Steel

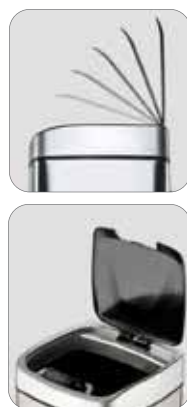
# Dust Bin



DUST BIN  
27526 | ■ Stainless Steel



DUST BIN  
27527 | ■ Stainless Steel



DUST BIN

28642	9 lt.	244x244x300 mm	■ Stainless Steel
28643	12 lt.	244x244x462 mm	■ Stainless Steel
28644	16 lt.	272x272x655 mm	■ Stainless Steel
28645	20 lt.	272x272x873 mm	■ Stainless Steel



# Recycling Units



## RECYCLING UNITS

31512	2'li	300x560x800 mm	■ Stainless Steel
31513	3'lü	300x820x800 mm	■ Stainless Steel
31514	4'lü	300x1080x800 mm	■ Stainless Steel
31515	5'li	300x1340x800 mm	■ Stainless Steel



## RECYCLING UNITS

31612	2'li	300x560x800 mm	■ Stainless Steel
31613	3'lü	300x820x800 mm	■ Stainless Steel
31614	4'lü	300x1080x800 mm	■ Stainless Steel
31615	5'li	300x1340x800 mm	■ Stainless Steel



## RECYCLING UNITS

31712	2'li	250x600x800 mm	■ Stainless Steel
31713	3'lü	250x870x800 mm	■ Stainless Steel
31714	4'lü	250x1130x800 mm	■ Stainless Steel
31715	5'li	250x1400x800 mm	■ Stainless Steel



#### RECYCLING UNITS

31812	3'lü Dar Çemberli	1110x355x700 mm	■ Stainless Steel
31813	4'lü Dar Çemberli	1480x355x700 mm	■ Stainless Steel
31822	3'lü Çemberli	1110x400x700 mm	■ Stainless Steel
31823	4'lü Çemberli	1480x400x700 mm	■ Stainless Steel
31832	<b>3'lü Döner Kapaklı</b>	1110x400x700 mm	■ Stainless Steel
31833	<b>4'lü Döner Kapaklı</b>	1480x400x700 mm	■ Stainless Steel



#### RECYCLING UNITS

31912		360x640x670 mm	■ Colored
31913		360x940x670 mm	■ Colored
31914		360x1230x670 mm	■ Colored
31922		360x690x690 mm	■ Colored
31923		360x1030x690 mm	■ Colored
31924		360x1360x690 mm	■ Colored
31932		360x690x650 mm	■ Colored
31933		360x1030x650 mm	■ Colored
31934		360x1360x650 mm	■ Colored

# Trash bins with Ashtray Bins



ASHTRAY BIN

30510 | ■ Stainless Steel



KISA ASHTRAY BIN

30513 | ■ Stainless Steel



ASHTRAY BIN

30613 | ■ Stainless Steel  
30614 | ■ Colored



ASHTRAY BIN, Boru Tipi

30511 | ■ Stainless Steel





ASHTRAY BIN  
30509 | ■ Stainless Steel



ASHTRAY BIN  
30512 | ■ Stainless Steel



ASHTRAY BIN  
30505 | ■ Stainless Steel



ASHTRAY BIN		
30601	Ø 1900x600 mm	■ Stainless Steel
30602	Ø 2100x600 mm	■ Stainless Steel
30603	Ø 2500x600 mm	■ Stainless Steel
30604	Ø 2800x600 mm	■ Stainless Steel

# Trash Bins With, Ashtray



ASHTRAY BIN

29507 | ■ Stainless Steel



ASHTRAY BIN

29508 | ■ Stainless Steel



ASHTRAY BIN

29810 | ■ Colored



ASHTRAY BIN

29811 | ■ Colored



ASHTRAY BIN

29812 | ■ Colored



ASHTRAY BIN

- 30606  Stainless Steel
- 30406  Gold

ASHTRAY BIN

- 30607  Stainless Steel
- 30407  Gold



ASHTRAY BIN

- 29804  Ayaklı Paint
- 29503  Stainless Steel
- 29802  Colored

# Umbrella Boxes



UMBRELLA BOXES

31802 | ■ Paint



UMBRELLA BOXES

31603 | ■ Stainless Steel



UMBRELLA BOXES

31601 | ■ Stainless Steel



UMBRELLA

31204 | ■ Gold



UMBRELLA

31205  
31203  
31207



# Flower Pot Box



## POT BOX

40519	∅ 300x300 mm	■ Stainless Steel
40520	∅ 350x350 mm	■ Stainless Steel
40521	∅ 400x400 mm	■ Stainless Steel
40522	∅ 450x450 mm	■ Stainless Steel
40523	∅ 550x550 mm	■ Stainless Steel
40524	∅ 600x600 mm	■ Stainless Steel



## POT BOX

40525	400x400x450 mm	■ Stainless Steel
40526	500x500x430 mm	■ Stainless Steel
40527	400x400x800 mm	■ Stainless Steel
40528	400x400x950 mm	■ Stainless Steel
40529	500x500x600 mm	■ Stainless Steel
40530	500x500x700 mm	■ Stainless Steel



## POT BOX

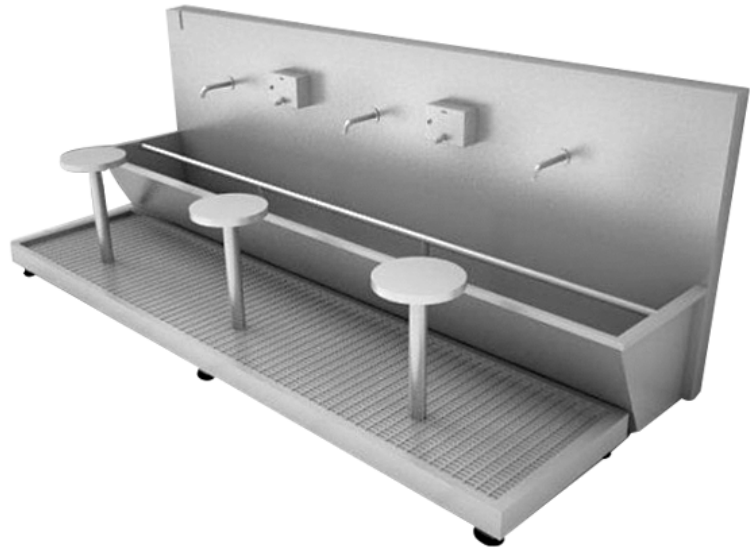
40510	∅ 300x270 mm	■ Stainless Steel
40511	∅ 350x320 mm	■ Stainless Steel
40512	∅ 400x360 mm	■ Stainless Steel
40513	∅ 420x400 mm	■ Stainless Steel
40514	∅ 500x450 mm	■ Stainless Steel
40515	∅ 600x580 mm	■ Stainless Steel



## POT BOX

40501	∅ 300x500 mm	■ Stainless Steel
40502	∅ 350x700 mm	■ Stainless Steel
40503	∅ 400x800 mm	■ Stainless Steel

# Washing Units



## ABLUTION UNIT

25521	2'li	■ Stainless Steel
25523	3'ü	■ Stainless Steel
25525	4'ü	■ Stainless Steel



## ABLUTION UNIT

25520	■ Stainless Steel
-------	-------------------



## WASHING UNITS

25519	■ Stainless Steel
-------	-------------------



## WASHING UNITS

25513	■ Stainless Steel
-------	-------------------



MOP

25501	400x600 mm	■ Stainless Steel
25502	900x600 mm	■ Stainless Steel
25503	1200x600 mm	■ Stainless Steel



WASHING UNITS

24502	500x500x410 mm	■ Stainless Steel
-------	----------------	-------------------



UNIT

24501	Set 500x800x220 mm	■ Stainless Steel
24301		Üst Bölme



WASHING UNITS

24503	410x410x270 mm	■ Stainless Steel
-------	----------------	-------------------



WASHING UNITS

25518	600x600x800 mm	■ Stainless Steel
-------	----------------	-------------------



WASHING UNITS

21524	500x500x720 mm	■ Stainless Steel
-------	----------------	-------------------

# Units



WASHING UNITS

25516 | ■ Stainless Steel



UNIT

25517 | ■ Stainless Steel



UNIT

25527 | ■ Stainless Steel



UNIT

25512 | ■ Stainless Steel



# Water Dispenser



## WATER DISPENSER

25615		■ Stainless Steel
25625	Photocell	■ Stainless Steel
25515	Çiftli	■ Stainless Steel
25505	Çiftli Photocell	■ Stainless Steel



# Baby Changing Units





BABY CHANGING UNIT

38107 | ■ Stainless Steel



BABY CHANGING UNIT

38106 | ■ ABS Krem



BABY CHANGING UNIT

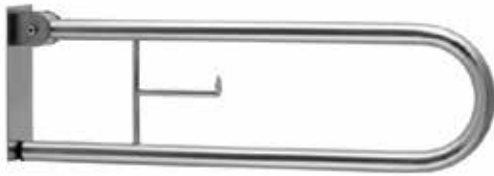
38110 | ■ ABS Cream  
38192 | ■ ABS Gray



# Disabled Equipment

# Grap Bar





GRAP BAR

- 20103 ■ Stainless Steel
- 22103 ■ Stainless Steel



GRAP BAR

- 20102 ■ Stainless Steel
- 22102 ■ Stainless Steel



GRAP BAR

- 20129 ■ Stainless Steel
- 22129 ■ Stainless Steel



GRAP BAR

- 20130 ■ Stainless Steel
- 22130 ■ Stainless Steel



GRAP BAR

- 20101 ■ Stainless Steel
- 22101 ■ Stainless Steel

# Grap Bar



## GRAP BAR

20104	300 mm	■ Stainless Steel
20105	400 mm	■ Stainless Steel
20106	500 mm	■ Stainless Steel
20107	600 mm	■ Stainless Steel
22104	300 mm	■ Stainless Steel
22105	400 mm	■ Stainless Steel
22106	500 mm	■ Stainless Steel
22107	600 mm	■ Stainless Steel



## GRAP BAR

20108	■ Stainless Steel
22108	■ Stainless Steel



## GRAP BAR

20109	■ Stainless Steel
22109	■ Stainless Steel



## GRAP BAR

20110	■ Stainless Steel
22110	■ Stainless Steel



## GRAP BAR

20114	■ Stainless Steel
22114	■ Stainless Steel



## GRAP BAR

20113	■ Stainless Steel
22113	■ Stainless Steel



# Shower Seats



SHOWER SEATS

20120 | ■ Stainless Steel



SHOWER SEATS

20117 | ■ Stainless Steel



SHOWER SEATS

20126 | ■ Stainless Steel



SHOWER SEATS

20116 | ■ Stainless Steel



SHOWER SEATS

20121 | ■ Stainless Steel



SHOWER SEATS

20128 | ■ Stainless Steel

# Shower Seats



SHOWER SEATS

20118 | ■ Stainless Steel



SHOWER SEATS

20115 | ■ Stainless Steel



SHOWER SEATS

20125 | ■ Stainless Steel



SHOWER SEATS

20124 | ■ Black



MIRROR

20119 | ■ Stainless Steel



MIRROR

20111 | ■ Stainless Steel



MIRROR

20112 | ■ Stainless Steel



MIRROR

22119 | ■ Stainless Steel



Faucet

# PhotoCell Bataryes



BATARYES

261501 | Chrome



BATARYES

261502 | Chrome



BATARYES

261504 | Chrome



BATARYES

261506 | Chrome



BATARYES

261508 | Chrome



BATARYES

261503 | Chrome



BATARYES

261507 | Chrome



BATARYES

261509 | Chrome



URINAL, PHOTOCELL

271505 | Chrome



URINAL

280700 | Chrome



MIXER

261510 | Chrome



URINAL

271504 | Chrome

# Bataryes



BATARYES

281015 ■ Chrome



BATARYES

281025 ■ Chrome



BATARYES

281001 ■ Chrome



BATARYES

281004 ■ Chrome



BATARYES

281003 ■ Chrome



BATARYES

281005 ■ Chrome





BATARYES

281011 | Chrome



BATARYES

281008 | Chrome



BATARYES

280562 | Chrome



BATARYES

27711 | Chrome

# Bidet Nozzle



BIDET NOZZLE

280556 | Chrome



BIDET NOZZLE

280570 | Chrome



BIDET NOZZLE

280558 | Chrome



BIDET NOZZLE

280559 | Chrome



BIDET NOZZLE

280303 | Chrome



BIDET NOZZLE

280302 | Chrome

# Siphon and Shower



SIPHON  
280711 | Chrome



SIPHON  
280716 | Chrome



SIPHON  
291504 | ABS Gri



SIPHON  
281503 | Chrome





# Beach, Pool Showers

# Beach, Showers





► ø 89x2100 mm

BEACH POOL SHOWERS

26512	■ Stainless Steel
26612	■ Stainless Steel



BEACH POOL SHOWERS

26501	■ Stainless Steel
26503	■ Stainless Steel



► ø 76x2100 mm

BEACH POOL SSHOWERS

26515	<b>Tepe Duşlu</b>	■ Stainless Steel
26615	<b>Tepe,El Duşlu</b>	■ Stainless Steel
26514		■ Stainless Steel
26614	<b>El Duşlu</b>	■ Stainless Steel



► ø 51x2090 mm

BEACH POOL SSHOWERS

26511		■ Stainless Steel
26611	<b>El Duşlu</b>	■ Stainless Steel

# Beach, Showers



► 150x150x2105 mm

BEACH POOL SHOWERS

26533 | ■ Stainless Steel |  
26633 | ■ Stainless Steel |

► ø 51x120x120x2050 mm

BEACH POOL SHOWERS

26507 | ■ Stainless Steel |  
26607 | ■ Stainless Steel |



► ø 168x2050 mm

BEACH POOL SHOWERS

26505 | ■ Stainless Steel |

► ø 168x2155 mm

BEACH POOL SHOWERS

26506 | ■ Stainless Steel |





► 200x200x2050 mm

BEACH POOL SHOWERS

26504 | ■ Mat Çelik



► Ø 168x910 mm

BEACH POOL SHOWERS

26508 | ■ Stainless Steel



► 200x200x910 mm

FOOT WASH

26500 | ■ Stainless Steel



► Ø 168x910 mm

FOOT WASH

26510 | ■ Stainless Steel



POOL FOUNTAIN

26518 | ■ Stainless Steel

# Heated Towel Rail



## HEATED TOWEL RAIL

714070	400x700 mm	■ Chrome
714011	400x1100 mm	■ Chrome
715070	500x700 mm	■ Chrome
715011	500x1100 mm	■ Chrome
716070	600x700 mm	■ Chrome
716011	600x1100 mm	■ Chrome



## HEATED TOWEL RAIL

724070	400x700 mm	■ Gold
724011	400x1100 mm	■ Gold
725070	500x700 mm	■ Gold
725011	500x1100 mm	■ Gold
726070	600x700 mm	■ Gold
726011	600x1100 mm	■ Gold



## HEATED TOWEL RAIL

734070	400x700 mm	□ White
734011	400x1100 mm	□ White
735070	500x700 mm	□ White
735011	500x1100 mm	□ White
736070	600x700 mm	□ White
736011	600x1100 mm	□ White



## HEATED TOWEL RAIL

744070	400x700 mm	■ Black
744011	400x1100 mm	■ Black
745070	500x700 mm	■ Black
745011	500x1100 mm	■ Black
746070	600x700 mm	■ Black
746011	600x1100 mm	■ Black



## HEATED TOWEL RAIL

754070	400x700 mm	■ Black
754011	400x1100 mm	■ Black
755070	500x700 mm	■ Black
755011	500x1100 mm	■ Black
756070	600x700 mm	■ Black
756011	600x1100 mm	■ Black



## HEATED TOWEL RAIL

764070	400x700 mm	□ White
764011	400x1100 mm	□ White
765070	500x700 mm	□ White
765011	500x1100 mm	□ White
766070	600x700 mm	□ White
766011	600x1100 mm	□ White



VALVE

- 80002  Chrome
- 80004  Black



VALVE

- 80001  White
- 80005  Chrome



VALVE

- 80003  Gold



# Stainless Toilets



STAINLESS TOILETS

24507 | 360x580x350 mm | ■ Stainless Steel



STAINLESS TOILETS

24506 | 390x580x355 mm | ■ Stainless Steel



STAINLESS TOILETS

24505 | 670x580x390 mm | ■ Stainless Steel



STAINLESS TOILETS

24508 | 690x430x257 mm | ■ Stainless Steel



STAINLESS TOILETS

24509 | 582x492 mm | ■ Stainless Steel



STAINLESS TOILETS

24504 | ■ Stainless Steel





# Models Economic

# Open



TOWEL BAR

13101 | Chrome



TOWEL RING

13102 | Chrome



PAPER HOLDERS

13109 | Chrome



ROLL HOLDER, OPEN

13107 | Chrome



ROBE HOOK

13106 | Chrome



SOAP DISH

13104 | Chrome



TUMBLER HOLDER

13105 | Chrome





ROBE HOOK

101147 | Chrome



ROBE HOOK

101148 | Chrome



ROBE HOOK

101149 | Chrome



GLAS SHELF

13103 | Chrome



ROBE HOOK

14149 | Chrome



SET

13124 | Chrome

# Open



ROBE HOOK

101143 | Chrome



ROBE HOOK

101144 | Chrome



ROBE HOOK

101145 | Chrome



ROBE HOOK

101146 | Chrome





SOAP BASKET

15145 | ■ Stainless Steel



SOAP BASKET

15146 | ■ Stainless Steel



SOAP BASKET

15148 | ■ Stainless Steel

# References





NESSA NAVA  
Bathroom Accessories



LC Waikiki

dpet

marmara  
FORUM



İstanbul  
Yeni Havalimanı



Sağlık Bakanlığı



M1  
ADANA



HISAR  
International Hospital

Sabancı  
Universitesi



SOMPO  
SİGORTA



doğa  
KOLEJİ  
Bir Doğa Beşli Yelkeni

ÖZEL  
eren  
HASTANESİ

teknopark  
istanbul



FINESSE

SEBA  
İNŞAAT

ORDU  
BOYUKSEHIR  
BELEDİYESİ

VITAL HOTEL  
FULYA  
★★★★



MER  
HOLIDAY RESORT

marmara  
FORUM

İK  
1950  
İzmir Özel Türk Koleji

LU  
SH  
HOTEL



YÜKSEK ÖĞRENİM  
KREDİ VE YURTLAR KURUMU

tefirom

sml  
SEM B O L  
CONSTRUCTION

HOTEL  
Lady Diana  
İSTANBUL  
★★★★

İSTANBULONKOLOJİ  
HASTANESİ

mesa  
MESKEN

GİRAY YAPI

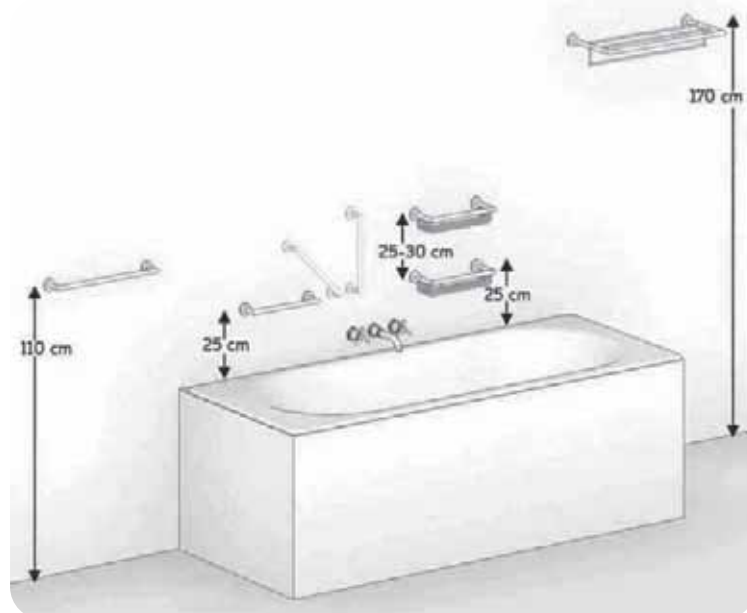
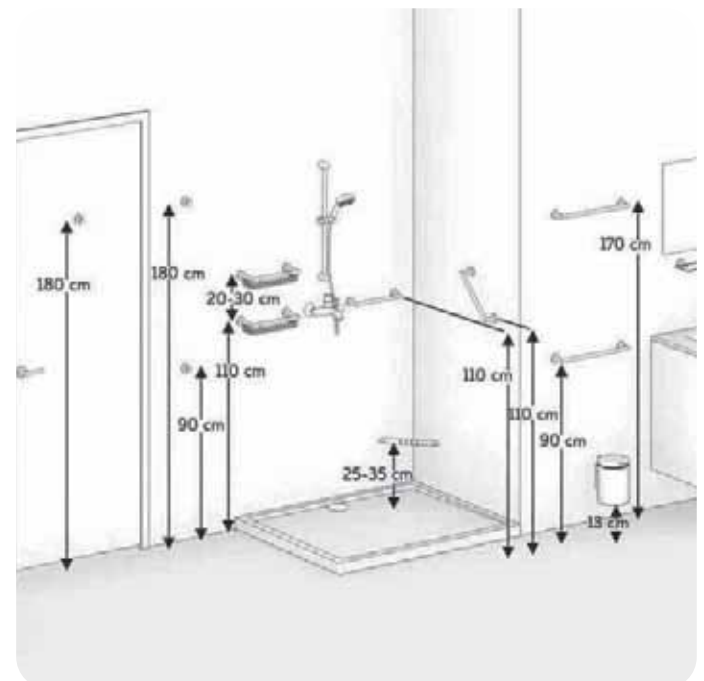
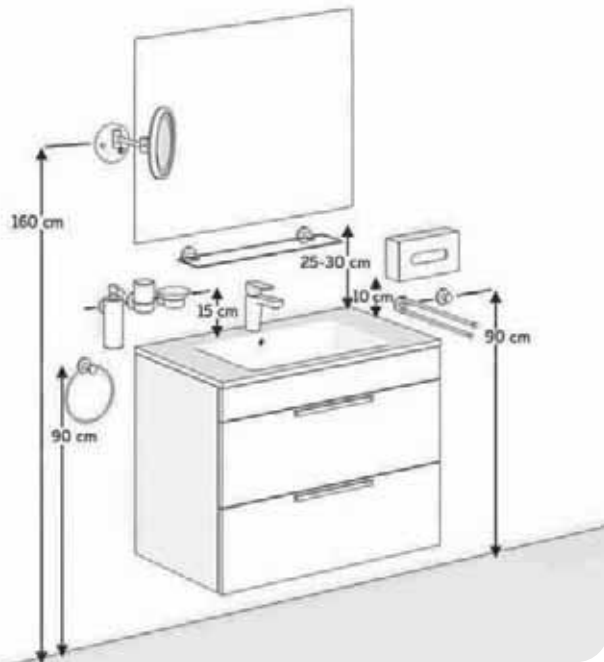
kan|Kansere Karşı  
ka|Birlikte Derneği

METROPORT  
ALIŞVERİŞ VE YAŞAM MERKEZİ

İSPER

t. oncept  
Architecture & Interior Design

# Bathroom Dimensions



# Brand Certificate







# CONTACT US

---

## NESSA NAVA İNŞAAT MALZEMELERİ VE DIŞ TİCARET AŞ

Telsizler Mah. Bogazkale Sk. Nef 163 Residence, Apartment 293 Floor 8  
Kagithane/Istanbul,TR

E-mail | [info@nessanava.com](mailto:info@nessanava.com)

Phone | +90 533 582 69 59

 [nessanavaglobal](https://www.instagram.com/nessanavaglobal)



NESSA NAVA